

Flame-proof type

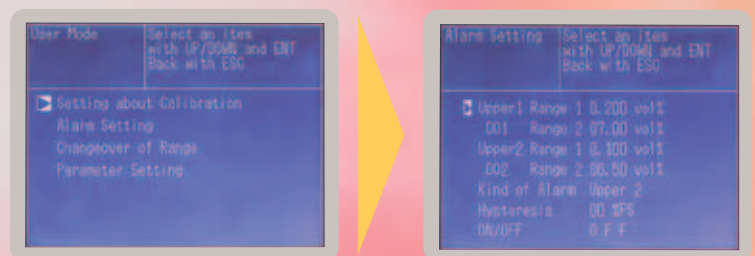
Thermal conductivity gas analyzer Type. ZAFE

***Optimum for concentration
measurement for H₂, Ar and He.***



**Ex. NEPSI
Cert NO. GYJ13.1036X
Ex. Marking: Exd IIC T6Gb**

● Operation is facilitated with the aid of guidance in English.



Operation facilitated with easy-to-read, large LCD panel.

Free voltage on 100 to 240V AC, 50/60Hz.

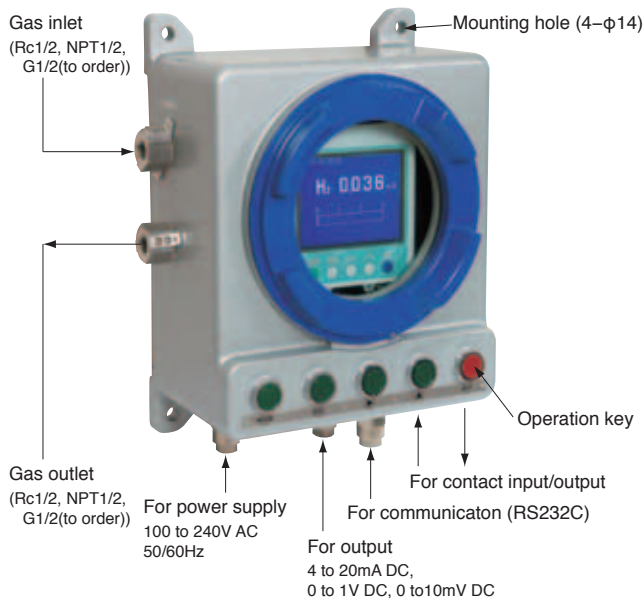
Automatically calibrates zero/span. (option)

Computes and corrects influence by other gases. (option)

Two measuring range. (option)

Gas concentration alarm output. (option)

RS232C (MODBUS) communication. (option)



Standard specifications

Measuring principle		thermal conductivity
Measurable component and Measurable range	H ₂	0 to 3%...100%, 100 to 90%, 100 to 80%
	He	0 to 5%...100%, 100 to 90%, 100 to 80%
	Ar	0 to 10%...100%, 100 to 90%, 100 to 80%
	CH ₄	0 to 20%...100%, 100 to 80%
	CO ₂	0 to 10%...100%, 100 to 90%, 100 to 80%
Output signal		4 to 20mA DC, 0 to 1V DC, 0 to 10mV DC Isolated output (Any one-output signal specifiable in code symbols)
Display unit		LCD with backlight
Display of measured value		Max.4 digits
Output signal holding		In both manual and automatic calibrations, output value just before calibration can be hold.
Power supply		100 to 240V AC, 50/60Hz approx.50VA
External dimensions (HxWxD)		470x354x211mm
Mass.		22kg

Performance

Repeatability	±1%FS
Linearity	±2%FS
Drift	Zero point: within ±2% of full scale/week (H ₂ meter) Span: within ±2% of full scale/week (H ₂ meter)
Response time (90% response)	Standard within 60 sec (at flow rate 0.4L/min). High speed within 10 sec (at flow rate 1L/min)

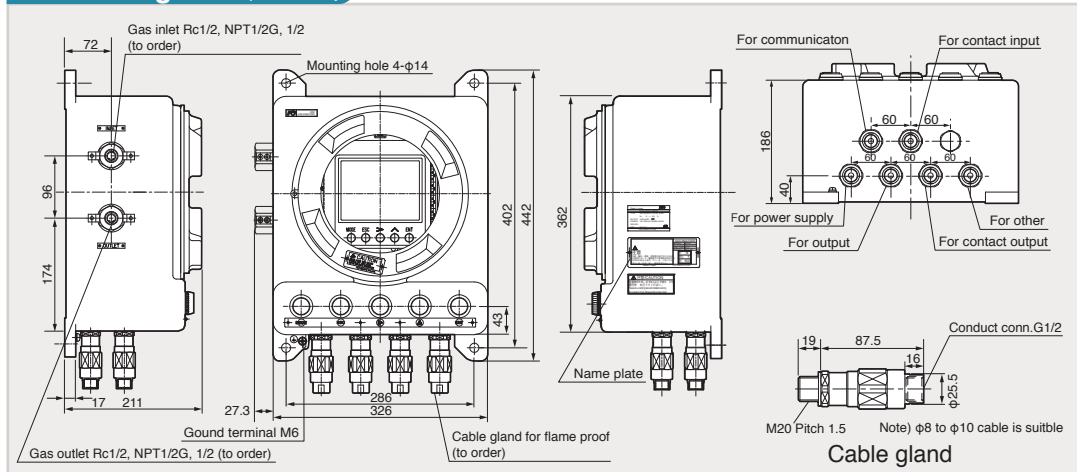
Option specifications

Relay contact output	5 STPT relay contact outputs 1) Solenoid valve drive output for automatic calibration 2) Upper/Lower limit concentration alarm output 3) Analyzer error alarm output 4) Calibrating status output 5) Range information output
Contact input	3 non-voltage contact inputs 1) Remote holding of measured value output 2) Remote range changeover 3) Remote start of automatic calibration
Interference gas measured value input	Analog input for H ₂ meter interference correction (1 to 5V DC)
Automatic calibration function	Zero and Span calibrations are automatically carried out at the predetermined intervals
Communicating function	RS-232C (MODBUS)

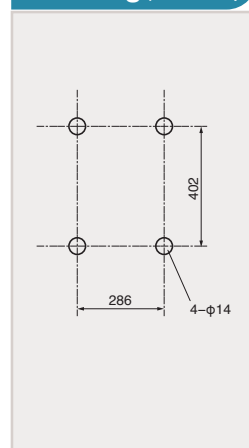
Standard gas measurement conditions

Temperature	0 to 50°C
Gas flow rate	Constant at 0.4L/min Constant at 1L/min (high response)
Dust	Less than 100µg/Nm ³ with a particle size of 0.3 µm max.
Pressure	10 kPa max
Mist, Corrosive gas	Unallowable
Moisture	Below saturation at 2°C
Standard gases for calibration	Zero gas: same as reference gas or as specified Span gas: Concentration within 90 to 100% of measuring range

Outline diagram (Unit: mm)



Dimensions of mounting (Unit: mm)



Fuji Electric Co., Ltd.

International Sales Div.

Sales Group

Gate City Ohsaki, East Tower, 11-2, Osaki 1-chome, Shinagawa-ku, Tokyo 141-0032, Japan

<http://www.fujielectric.com>

Phone: 81-3-5435-7280, 7281 Fax: 81-3-5435-7425

<http://www.fujielectric.com/products/instruments/>