

Relay Output Interface Card "OPC-G1-RY"

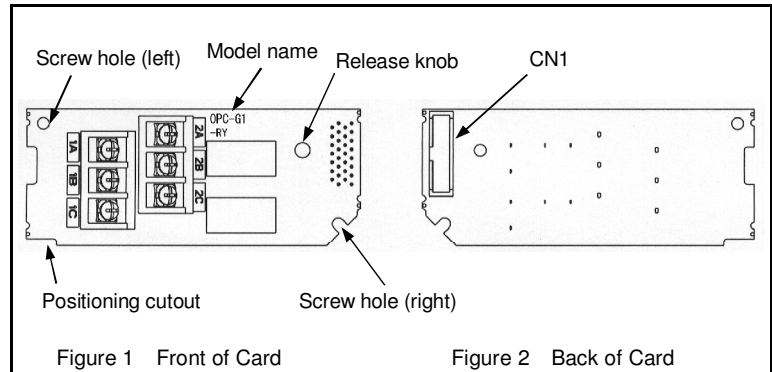
Thank you for purchasing this relay output interface card (hereinafter called relay output card), "OPC-G1-RY." Installing this card to your FRENIC-MEGA series of inverters allows you to convert transistor outputs at terminals [Y1] to [Y4] on the inverter to relay outputs--four 1C contacts (SPDT).

- Note**
- Configuring relay outputs of four 1C contacts requires two output relay cards since a single card has two 1C contacts.
 - When any of inverter terminals [Y1] to [Y4] is used for transistor outputs, this relay output card cannot be used.

1. Check that:

- (1) A relay output card and two screws (M3 × 8) are contained in the package.
- (2) The relay output card is not damaged during transportation--no defective devices, dents or warps.
- (3) The model name "OPC-G1-RY" is printed on the relay output card. (See Figure 1.)

If you suspect the product is not working properly or if you have any questions about your product, contact the shop where you bought the product or your local Fuji branch office.



2. Installation

⚠ WARNING

Before starting installation and wiring, turn OFF the power and wait at least five minutes for inverters with a capacity of 22 kW or below, or at least ten minutes for inverters with a capacity of 30 kW or above. Make sure that the LED monitor and charging lamp are turned OFF. Further, make sure, using a multimeter or a similar instrument, that the DC link bus voltage between the terminals P(+) and N(-) has dropped to the safe level (+25 VDC or below).

Otherwise, electric shock could occur.

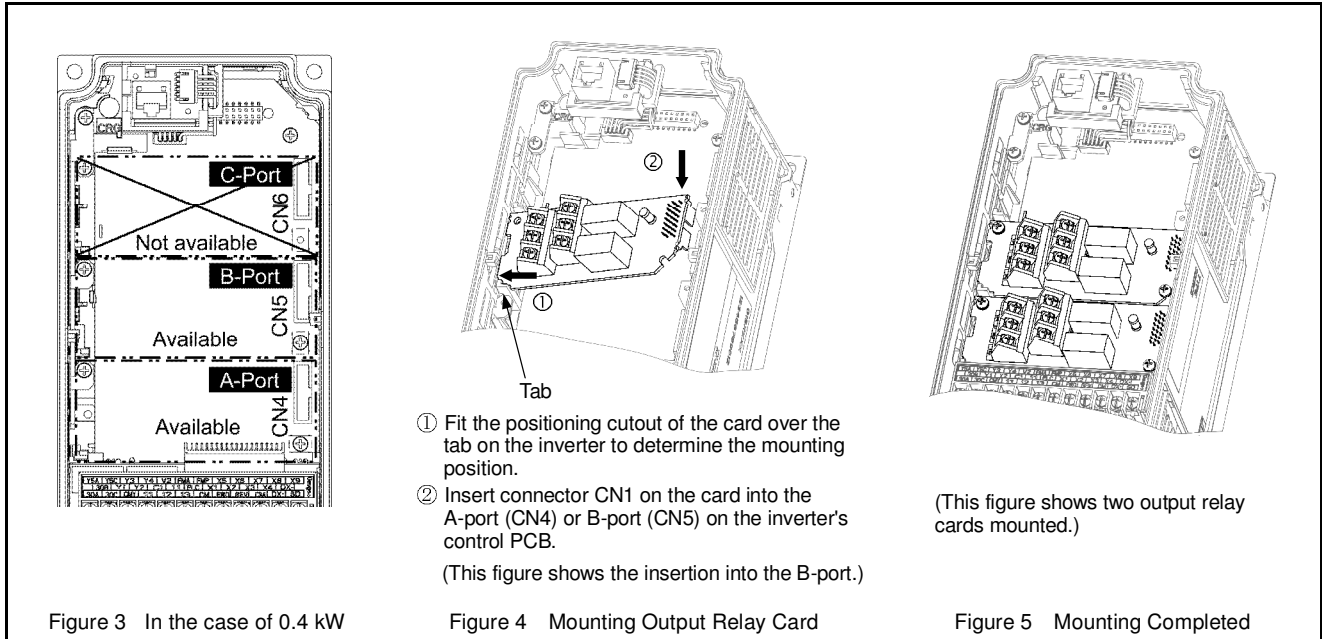
- (1) Remove the front cover from the inverter and expose the control printed circuit board (control PCB). (Figure 3)
 - To remove the front cover, refer to the FRENIC-MEGA Instruction Manual, Section 2.3. For inverters with a capacity of 30 kW or above, open also the keypad enclosure.
- (2) Insert connector CN1 on the back of the relay output card (Figure 2) into the A-port (CN4) or B-port (CN5) on the inverter's control PCB. Then tighten the two screws that come with the card. (Figure 4)

- Note** Check that the positioning cutout (Figure 1) is fitted on the tab (Ⓛ in Figure 4) and connector CN1 is fully inserted (Ⓜ in Figure 4). Figure 5 shows the relay output card correctly mounted. Do not connect the relay output card to the C-port. Doing so may damage the card.

■ Ports available for the relay output card

Port	Output signal	Assignment	Notes
A-port	Relay contact output 1 Relay contact output 2	Function code E20 (Y1) Function code E21 (Y2)	Do not connect this card to terminal [Y1] or [Y2] of the inverter.
B-port	Relay contact output 1 Relay contact output 2	Function code E22 (Y3) Function code E23 (Y4)	Do not connect this card to terminal [Y3] or [Y4] of the inverter.
C-port	Do not connect the relay output card to this port.		

- (3) Perform wiring on the relay output card.
 - Refer to Section 3 "Wiring."
- (4) Put the front cover back into place.
 - To put back the front cover, refer to the FRENIC-MEGA Instruction Manual, Section 2.3. For inverters with a capacity of 30 kW or above, close also the keypad enclosure.



3. Wiring

⚠ WARNING

In general, the covers of the control signal wires are not specifically designed to withstand a high voltage (i.e., reinforced insulation is not applied). Therefore, if a control signal wire comes into direct contact with a live conductor of the main circuit, the insulation of the cover might break down, which would expose the signal wire to a high voltage of the main circuit. Make sure that the control signal wires will not come into contact with live conductors of the main circuit.

Failure to observe this precaution could cause electric shock or an accident.

⚠ CAUTION

Noise may be emitted from the inverter, motor and wires.

Take appropriate measures to prevent the nearby sensors and devices from malfunctioning due to such noise.

An accident could occur.

- (1) Perform wiring properly, referring to the "Terminal Allocation and Symbol Diagram," "Terminal Specifications," and "Internal Block Diagram" shown below.

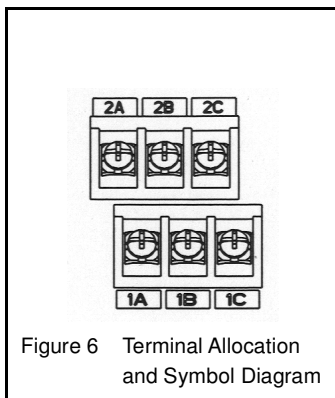
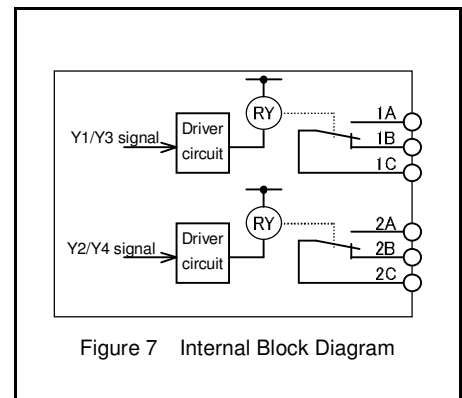


Table 1 Terminal Specifications

Terminal Size	M3
Tightening Torque	0.7 N·m
Recommended Wire Gauge *	0.75 mm ²

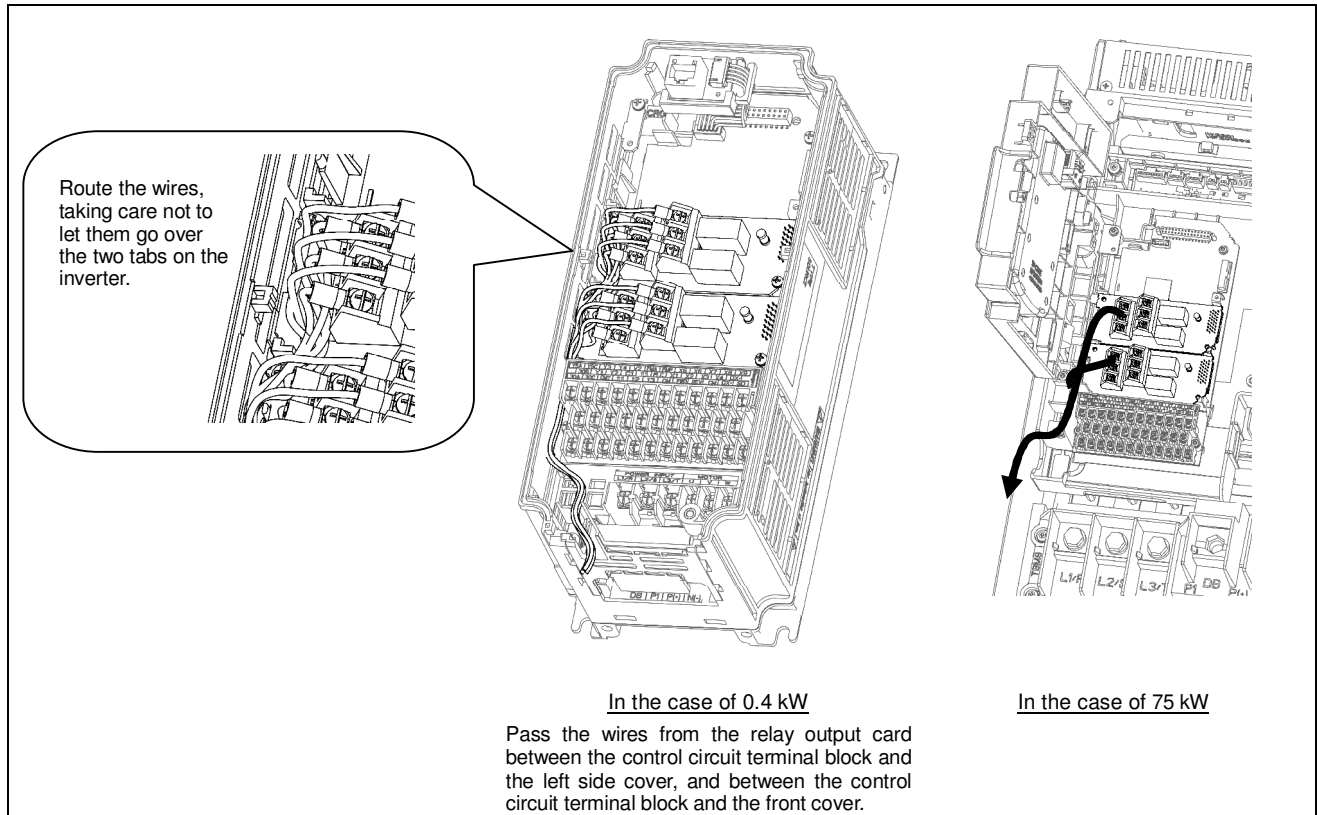
* 600 V class of polyethylene-insulated HIV wires with allowable temperature of 75°C, at the ambient temperature of 50°C.

* Using wires exceeding the recommended sizes may lift the front cover depending upon the number of wires used, impeding keypad normal operation.



Note To prevent malfunctioning due to noise, separate signal wires for the relay output card as far apart as possible from those for the main circuits. Also, inside the inverter, bundle and fix the wires for the relay output card so that they do not come into direct contact with live parts of the main circuits (for example, the main circuit terminal block).

(2) Wire layout



■ Terminal Functions

Outputs from the relay output terminals on this card are dependent on function code settings specified for the transistor output terminals [Y1] to [Y4].

Symbol	Name	Descriptions
[1A]/[1B]/[1C]	Relay contact output 1	Relay contacts to output signals selected by function codes E20 and E22, such as Inverter Running, Frequency Arrival and Overload Early Warning.
[2A]/[2B]/[2C]	Relay contact output 2	Relay contacts to output signals selected by function codes E21 and E23, such as Inverter Running, Frequency Arrival and Overload Early Warning.

Note The relay contacts are interlocked with transistor output terminals [Y1] to [Y4]. When signals from terminals [Y1] to [Y4] are turned ON, the corresponding relays are driven (excited) so that each of 1A-1C and 2A-2C is short-circuited and each of 1B-1C and 2B-2C is opened.

When the inverter's control power is OFF, all the B-C contact pairs are short-circuited. If you are using negative logic to realize fail-safe operation, make sure that this does not cause any logic fault or conflict.

For details of relay output functions available, refer to the FRENIC-MEGA Instruction Manual, Chapter 5, Section 5.2 "Details of Function Codes" or the FRENIC-MEGA User's Manual.

■ Electrical requirements for the card

Item	Specifications
Contact capacity	250 VAC, 0.3A, $\cos\Phi = 0.3$, or 48 VDC, 0.5A (resister load)
Contact life	200,000 times (ON/OFF every 1 second)
Safety Standards/Directives	UL508C,C22.2 No.14,EN50178:1997

Note When frequent ON/OFF switching is anticipated (for example, when using the current limit function with the inverter output limiting signal), use terminals [Y1] to [Y4] (transistor outputs) instead.

Fuji Electric Co., Ltd.

Gate City Ohsaki, East Tower, 11-2, Osaki 1-chome, Shinagawa-ku, Tokyo, 141-0032, Japan

Phone: +81 3 5435 7058 Fax: +81 3 5435 7420

URL <http://www.fujielectric.com/>

INR-SI47-1214c-JE