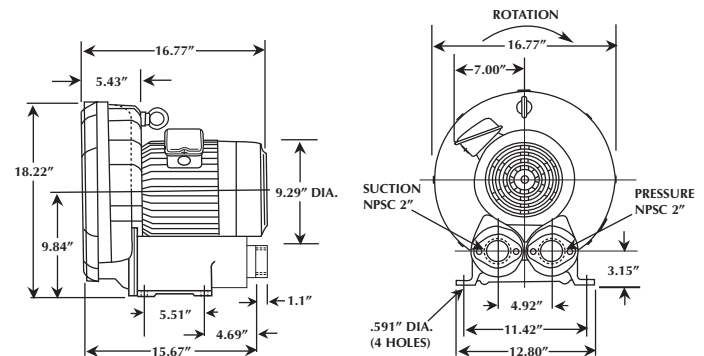




The VFC70 is a single-stage ring compressor with a maximum pressure of 114 in. H₂O, a maximum vacuum of 96 in. H₂O and a maximum capacity of 267 SCFM. It comes complete with a direct-drive, 7 horsepower, TEFC motor capable of operating on a wide range of voltages, and on 50 or 60 Hz. A pilot-duty thermal protector is standard equipment on all 3-phase models. All versions have NEMA class F insulation, and are UL recognized, CSA certified, and CE. 575 Volt units are CSA certified only.



SPECIFICATIONS

Model No.	Hz	Voltage	Amps	Amps	Max. Pressure	Max. Vacuum	Max. Airflow	Min. Airflow	Max. Temp Rise (ΔT)	Weight
			(Max. Rated)	(Locked Rotor)						
3 Phase VFC700A-7W	60	200-240/400-480	15.6-16/7.8-8.0	110-115/50-58	114	96	267	88	137(75)	180(82)
	50	190-230/380-460	13-14/6.5-7.0	104-128/52-64	81	71	220	63	108(60)	
VFC700A-5W	60	575	6.7	35	114	96	267	88	137(75)	180(82)

ACCESSORIES

Description	Vacuum Relief Valve	Pressure Relief Valve	Inlet Filter	Inlet Filter Cover	Exhaust Silencer/Muffler
Model No.	VV7	PV7	F-67	C-67	VFY-026A

NOTE: Maximum allowable time at deadhead is 30 seconds.

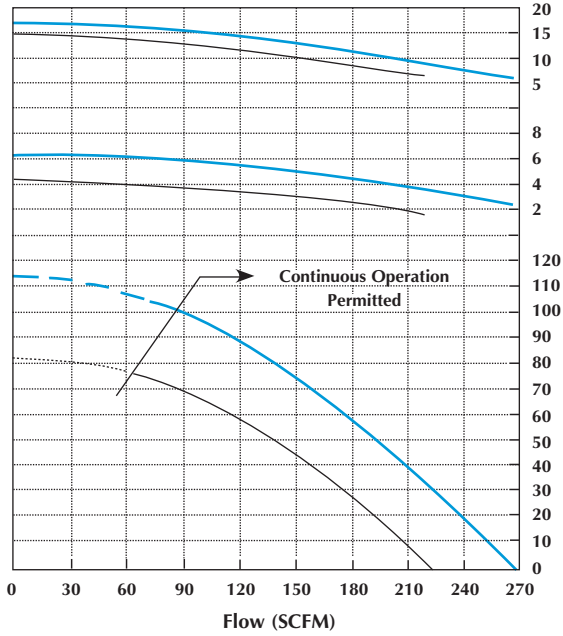


VFC70 PERFORMANCE DATA

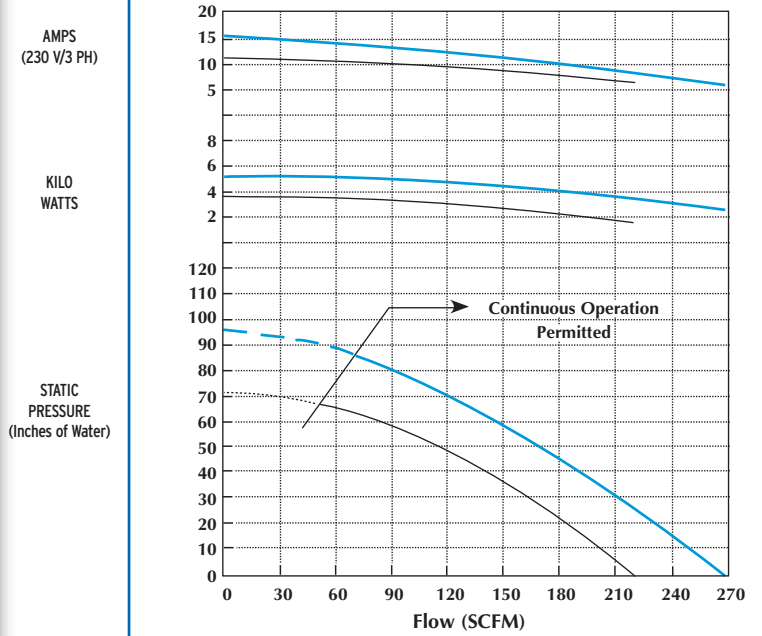
KEY

— 60 Hz
— 50 Hz

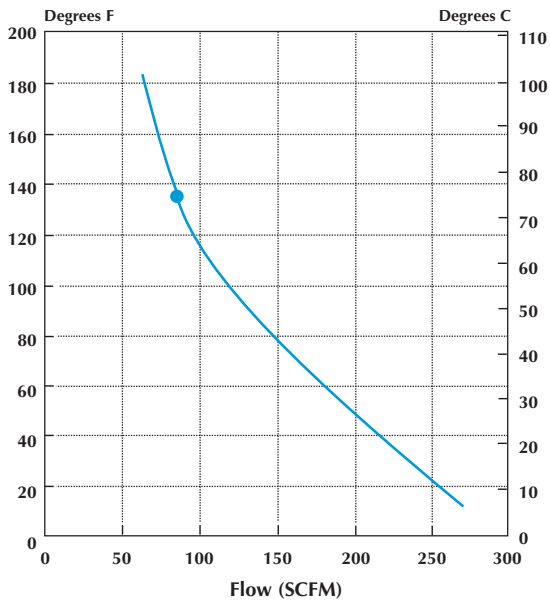
PRESSURE



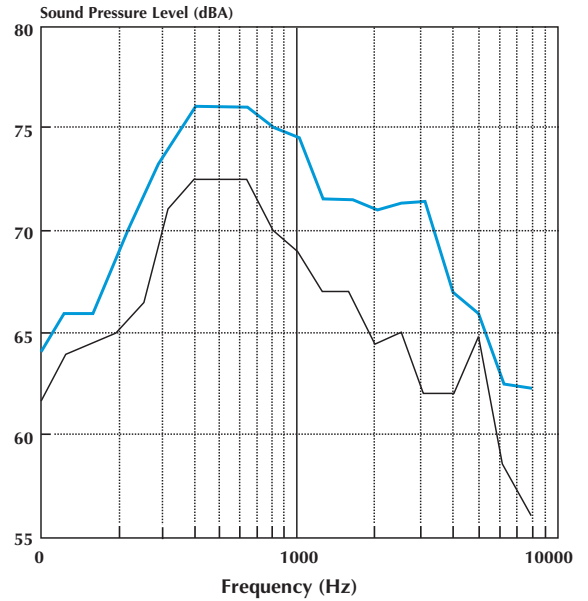
VACUUM



TEMPERATURE RISE



SOUND LEVEL



Max. Air Temperature is Value Marked • plus 40 Degrees C Ambient Temperature

*Measured at distance of 1.0 meter