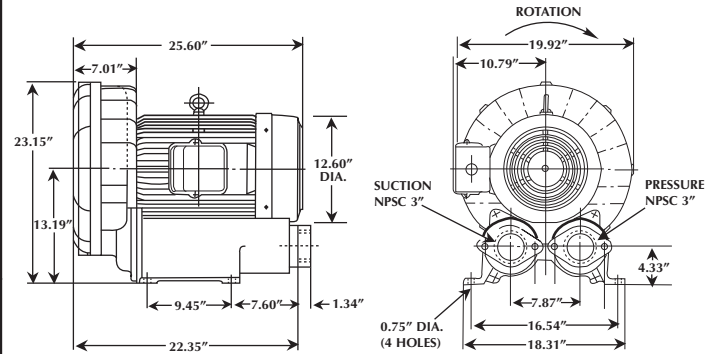




The VFC90 is a single-stage ring compressor with a maximum pressure of 139 in. H<sub>2</sub>O, a maximum vacuum of 100 in. H<sub>2</sub>O, and a maximum capacity of 570 SCFM. It comes complete with a direct-drive, 20 horsepower, TEFC motor capable of operating on a wide range of voltages and on 50 or 60 Hz. A pilot-duty thermal protector is standard equipment on all 3-phase models. All versions have NEMA class B insulation, and are UL recognized, CSA certified, and CE. 575 Volt units are CSA certified only.



## SPECIFICATIONS

Model No.		Hz	Voltage	Amps (Max. Rated)	Amps (Locked Rotor)	Max. Pressure in. H <sub>2</sub> O	Max. Vacuum in. H <sub>2</sub> O	Max. Airflow SCFM	Min. Airflow SCFM	Max. Temp Rise (ΔT) °F(°C)	Weight lbs.(kg)
3 Phase	VFC904A-7W	60	200-240/400-480	48-44/24-22	290-330/145-165	139	110	570	195	162(90)	450(205)
		50	190-230/380-460	32-28/16-14	310-350/155-175	90	75	500	140	155(85)	
	VFC904A-5W	60	575	16	130	139	110	570	195	162(90)	450(205)

## ACCESSORIES

Description	Vacuum Relief Valve	Pressure Relief Valve	Inlet Filter	Inlet Filter Cover	Exhaust Silencer/Muffler
Model No.	VV9	PV9	F-89	C-89	VFY-029A



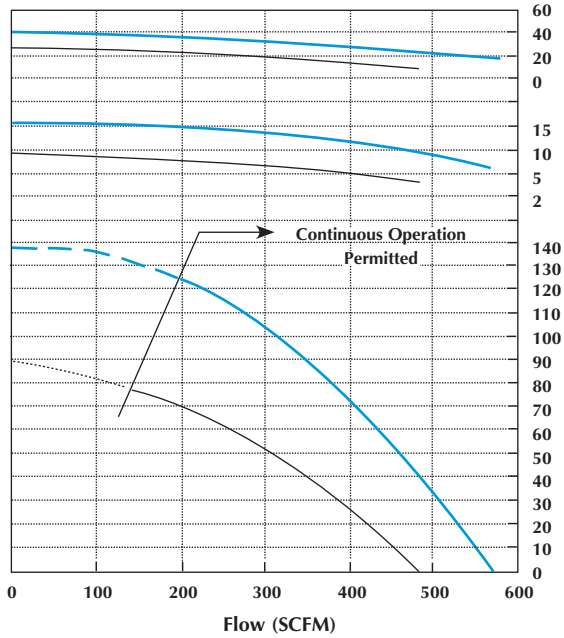
**NOTE:** Maximum allowable time at deadhead is 30 seconds.

# VFC90 PERFORMANCE DATA

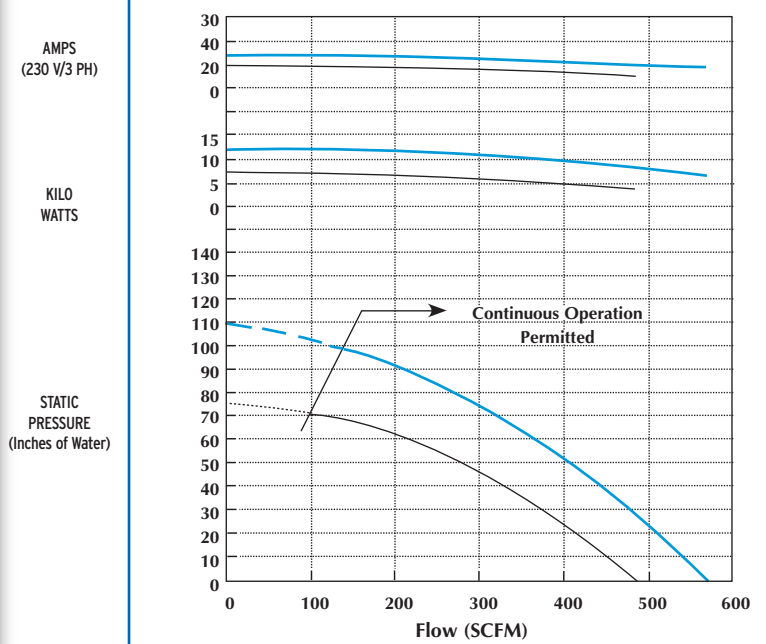
**KEY**

— 60 Hz  
— 50 Hz

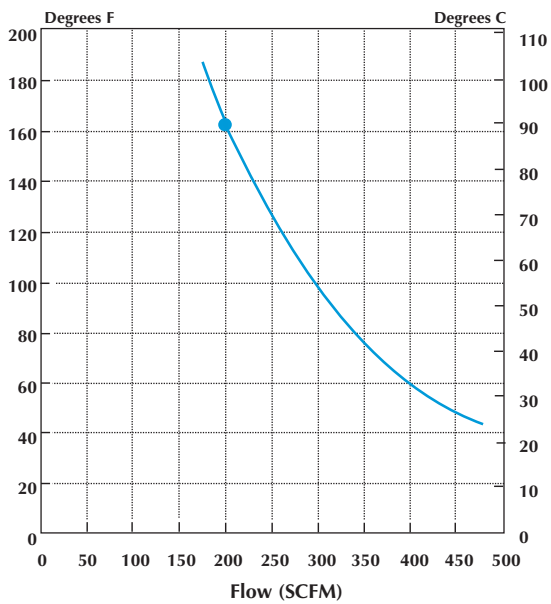
## PRESSURE



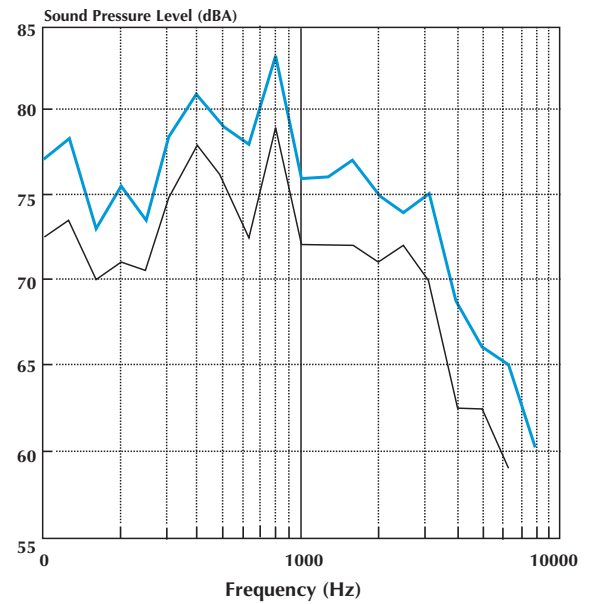
## VACUUM



## TEMPERATURE RISE



## SOUND LEVEL



Max. Air Temperature is Value Marked • plus 40 Degrees C Ambient Temperature

\*Measured at distance of 1.0 meter