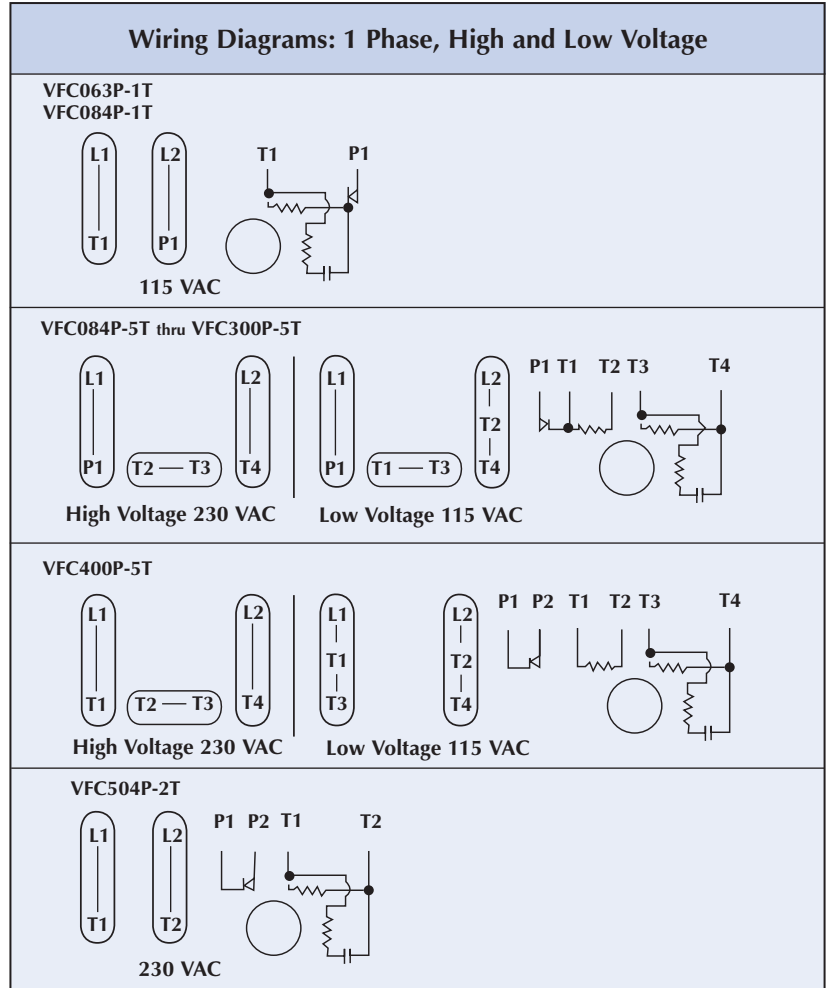
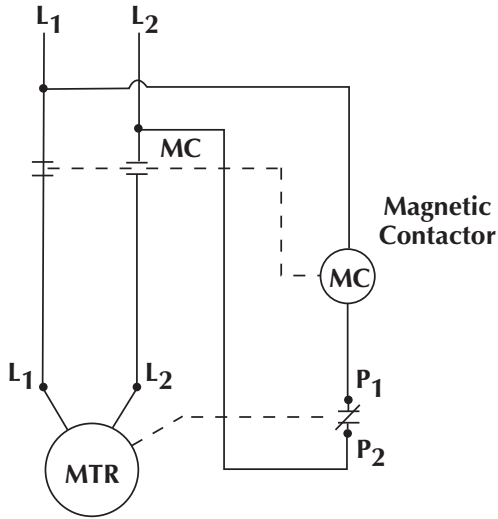




FUJI ELECTRIC
APPLICATIONS

ELECTRICAL

▶ 1 PHASE WIRING DIAGRAMS

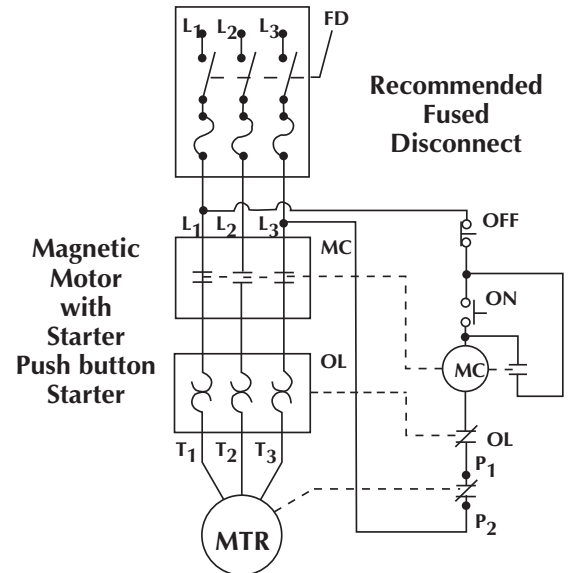
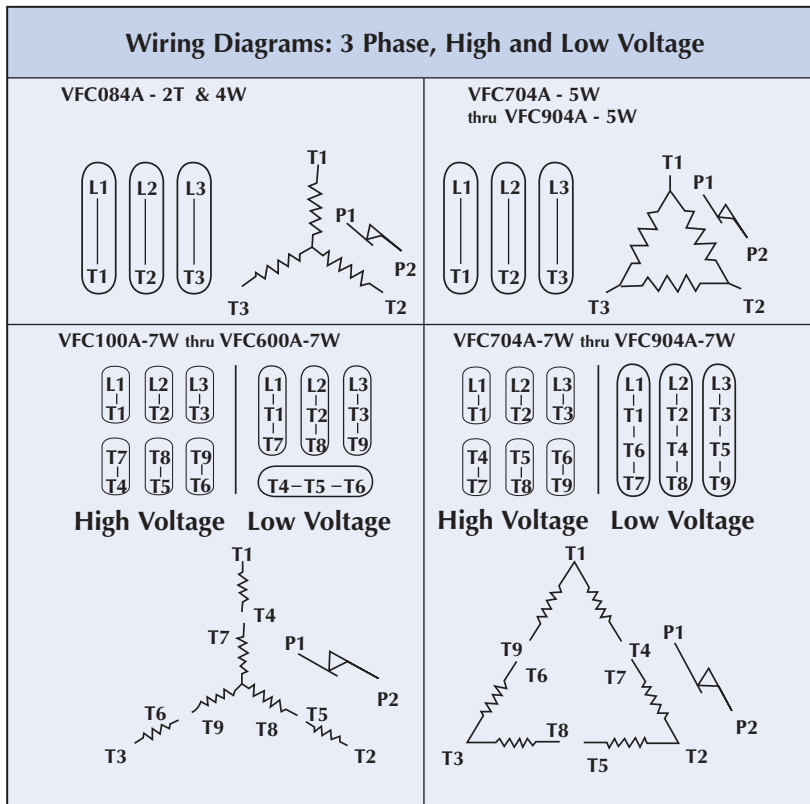


▶ OPERATING VOLTAGE

	Nameplate Voltage	Nominal Operating Voltage (50 Hz)	Nominal Operating Voltage (60 Hz)
1 phase	115 V	110 V	115 V
	230 V	220 V	230 V
3 phase	200-230 V	190-230 V	200-240 V
	460 V	380-460 V	400-480 V
	575 V	-	550-600 V

Note: All wiring must conform to local and national codes. Please contact your local electrical contractor.

▶ 3 PHASE WIRING DIAGRAMS



Motor Control Wiring Diagram for all
3 Phase Models for Maximum Protection

▶ AUTOMATIC THERMAL PROTECTION

In models VFC063P, VFC084P, VFC100P, VFC200P, and VFC300P the thermal protector is in direct line with the power to the motor windings. If a thermal overload occurs, the thermal switch opens at $135^{\circ} \pm 5^{\circ}\text{C}$ ($275^{\circ} \pm 9^{\circ}\text{F}$). Power is interrupted to the motor winding; power will be restored when the thermal switch measures $88^{\circ} \pm 15^{\circ}\text{C}$ ($190^{\circ} \pm 27^{\circ}\text{F}$). The motor will resume full speed.

▶ PILOT DUTY THERMAL PROTECTION

In models VFC400P and VFC504P, VFC100A – VFC600, VFC084A – VFC904A, the thermal switch must be put in series with the magnetic starter coil (low current circuit). The thermal switch opens at $135^{\circ} \pm 5^{\circ}\text{C}$ ($275^{\circ} \pm 9^{\circ}\text{F}$) and closes at $88^{\circ} \pm 15^{\circ}\text{C}$ ($190^{\circ} \pm 27^{\circ}\text{F}$). Magnetic contactors and magnetic starters must be reset manually in most cases. Some electrical circuits may vary. Please contact system electrical drawings or a qualified electrician to trouble shoot the circuit.