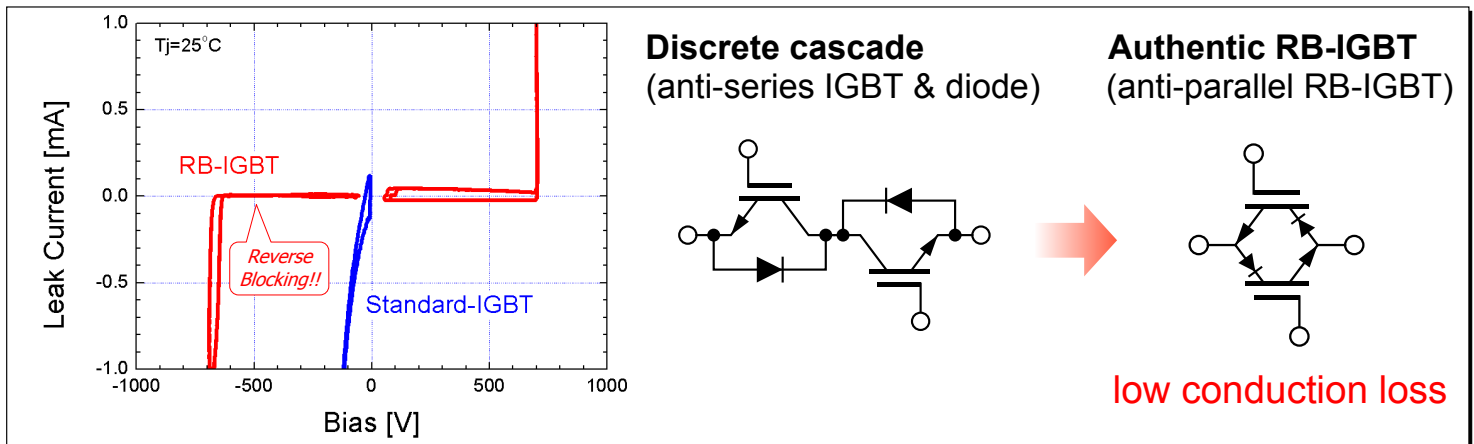


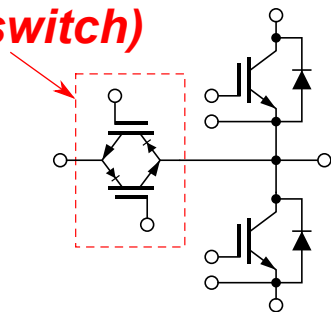
Fuji Electric 3-level Modules with Authentic RB-IGBT

T-type configuration with Reverse Blocking IGBT
High efficiency and compact / low inductance package



T-type leg (4in1)

RB-IGBT
(AC switch)

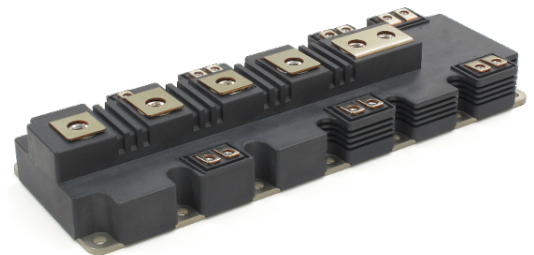


4MBI300VG-120R-50
(1200V / 300A)

4MBI300VG-120R1-50
(1200V / 300A)

4MBI400VF-120R-50
(1200V / 400A)

4MBI400VG-060R-50
(1200V / 400A)



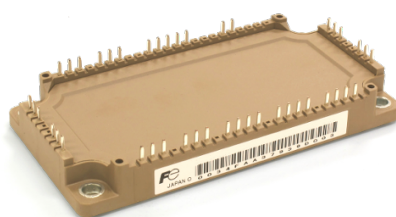
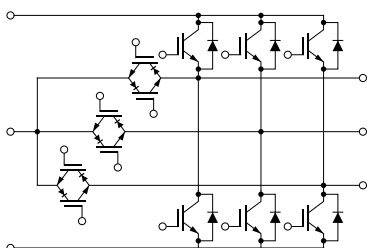
4MBI450VB-120R1-50
(1200V / 450A)

4MBI650VB-120R1-50
(1200V / 650A)

4MBI900VB-120R1-50
(1200V / 900A)

R: 600V RB-IGBT
R1: 900V RB-IGBT

T-type 3-phase (12in1)



Solder pin type



Press-fit type

12MBI100VN-120-50
(1200V / 100A)

12MBI75VN-120-50
(1200V / 75A)

12MBI50VN-120-50
(1200V / 50A)

12MBI100VX-120-50
(1200V / 100A)

12MBI75VX-120-50
(1200V / 75A)

12MBI50VX-120-50
(1200V / 50A)