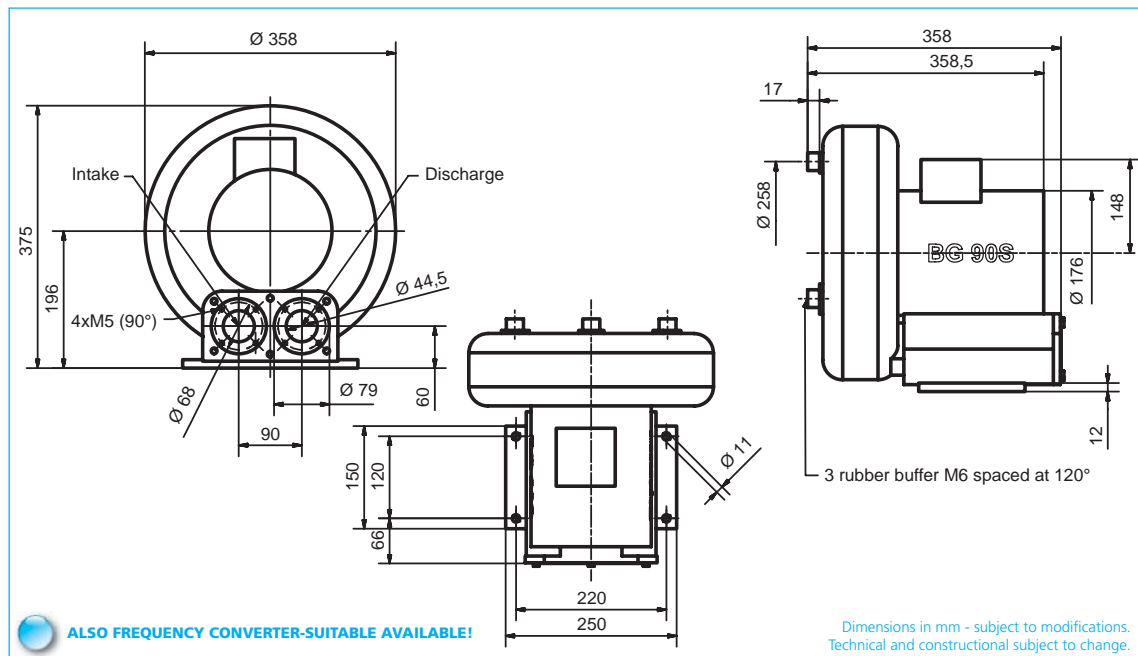
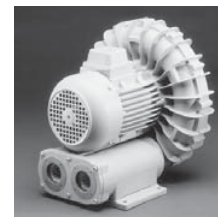
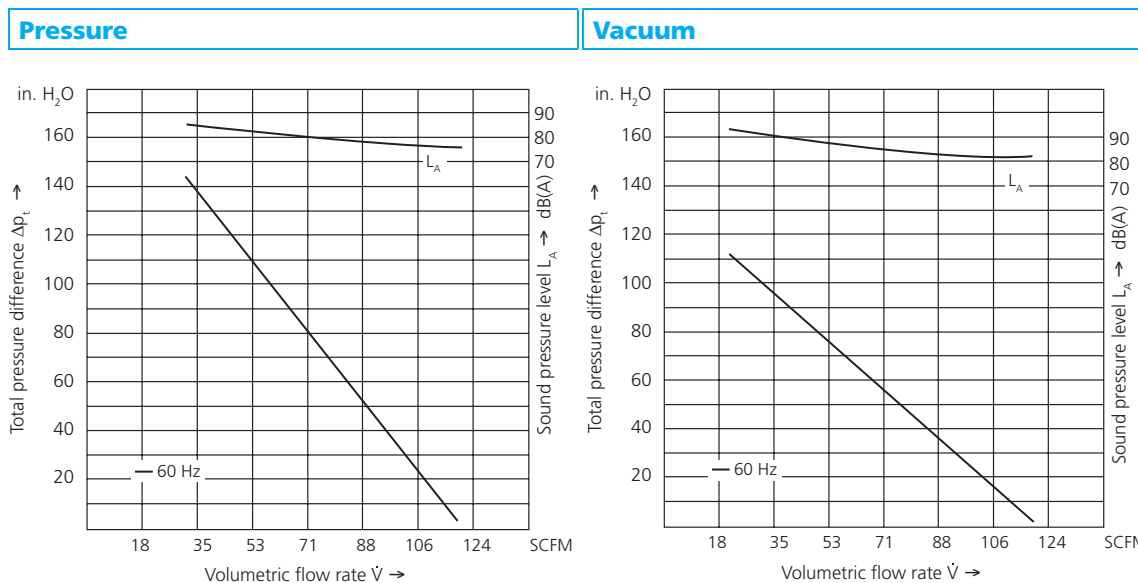


# SD 420 VFD 4



Delivery includes inlet and outlet flanges NPT 1½".

| Type            | Efficiency class      | Frequency | Maximum performance when used as blower |                      | Maximum performance when used as extractor |                      | Motor ratings |         |          |                   | Weight (approx.) |
|-----------------|-----------------------|-----------|---|----------------------|--|----------------------|---------------|---------|----------|-------------------|------------------|
|                 |                       |           | $\dot{V}$ max.                          | $\Delta p_t$ max.    | $\dot{V}$ max.                             | $\Delta p_t$ max.    | Rated output  | Voltage | Current  | RPM               |                  |
|                 |                       | Hz        | SCFM                                    | in. H <sub>2</sub> O | SCFM                                       | in. H <sub>2</sub> O | hp            | V       | A        | min <sup>-1</sup> | lb               |
| SD 420<br>VFD 4 | NEMA Energy Efficient | 60        | 120                                     | 145                  | 120  | 112                  | 3,5           | 230/460 | 9,3/4,65 | 3480              | 60               |



**Elektror**  
airsystems gmbh

Hellmuth-Hirth-Str.2  
D-73760 Ostfildern  
Germany  
sales@elektror.com  
www.elektror.com

**FE**  
Fuji Electric

Fuji Electric Corp. of America  
47520 Westinghouse Drive  
Fremont, CA 94539  
USA  
x-fea-rc-group@fujielectric.com  
www.americas.fujielectric.com

**Elektror**