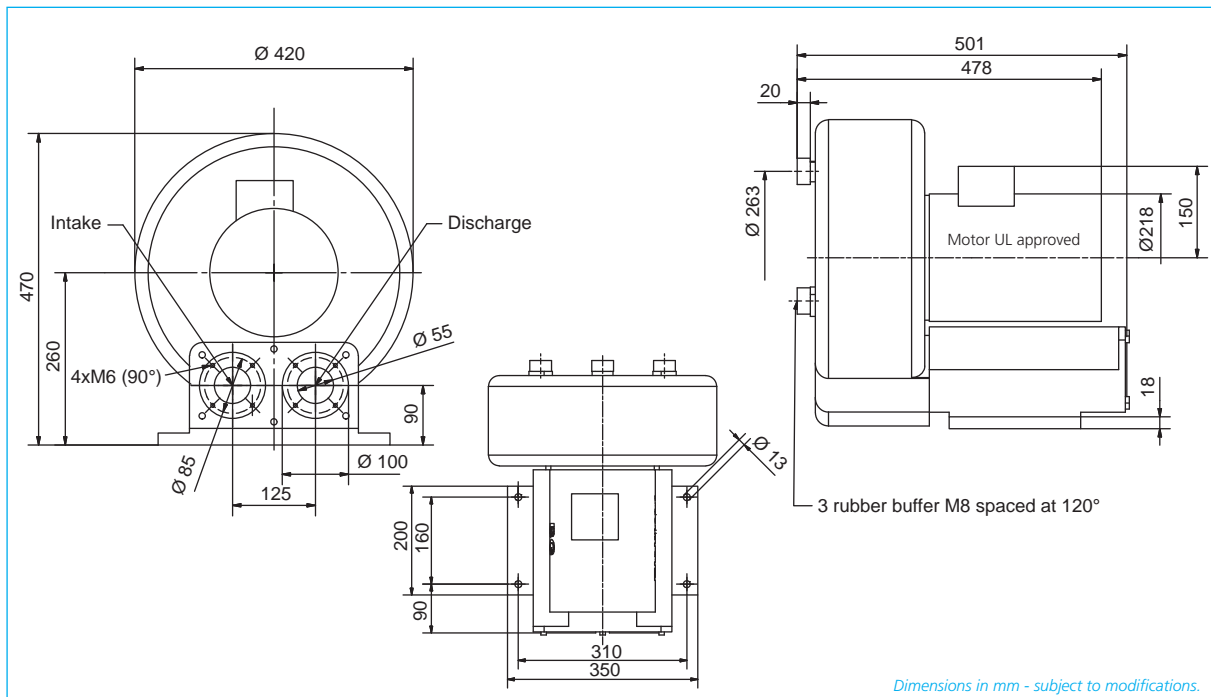


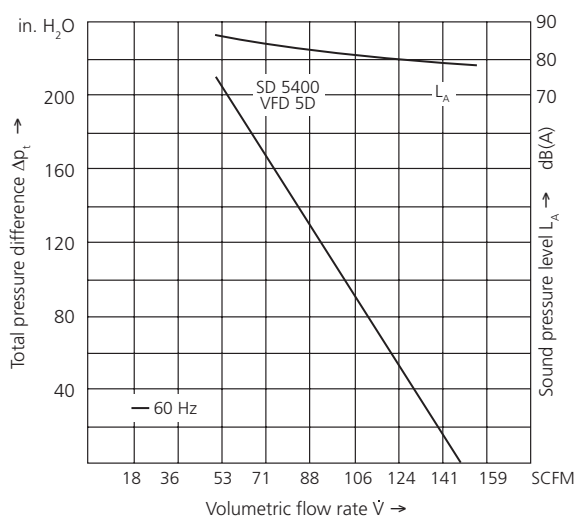
SD 5400 VFD 5D-L



Delivery includes inlet and outlet flanges NPT 2".

Type	Efficiency class	Frequency	Maximum performance when used as blower		Maximum performance when used as extractor		Motor ratings				Weight (approx.)
			V max.	Δp_t max.	V max.	Δp_t max.	Rated output	Voltage	Current	RPM	
		Hz	SCFM	in. H ₂ O	SCFM	in. H ₂ O	hp	V	A	min ⁻¹	lb
SD 5400 VFD 5D-L	NEMA Energy Efficient	60	148	209	148	157	6,4	230/400	15,9/9,20	3525	133

Pressure



Vacuum

