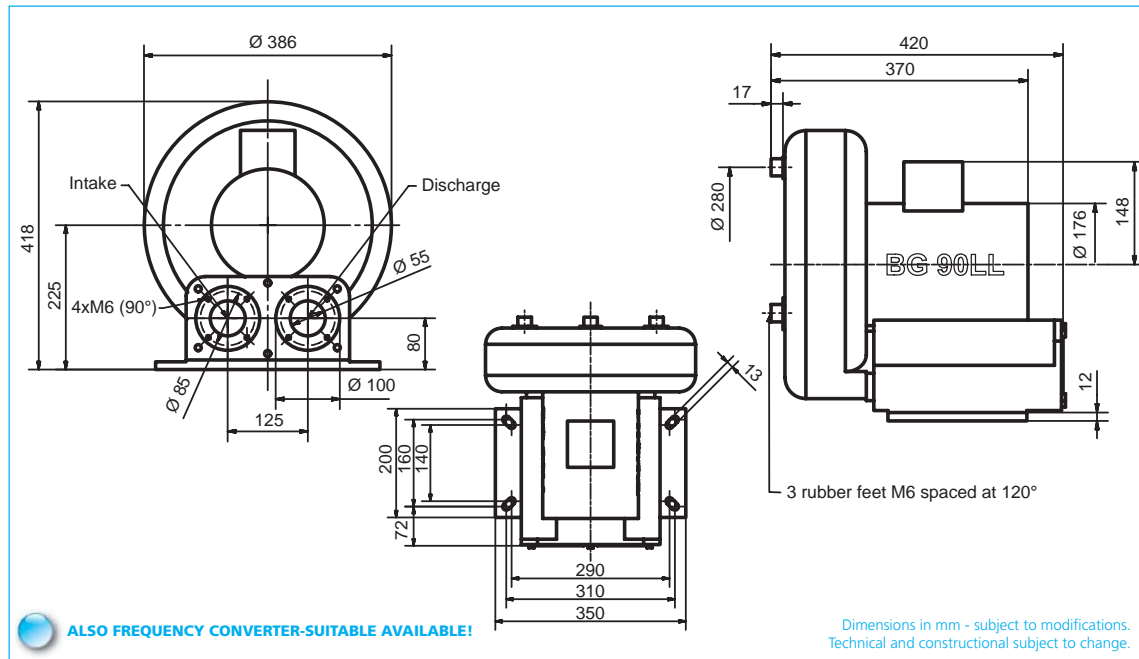
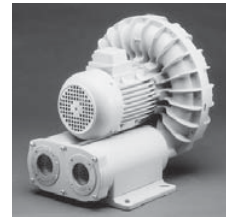


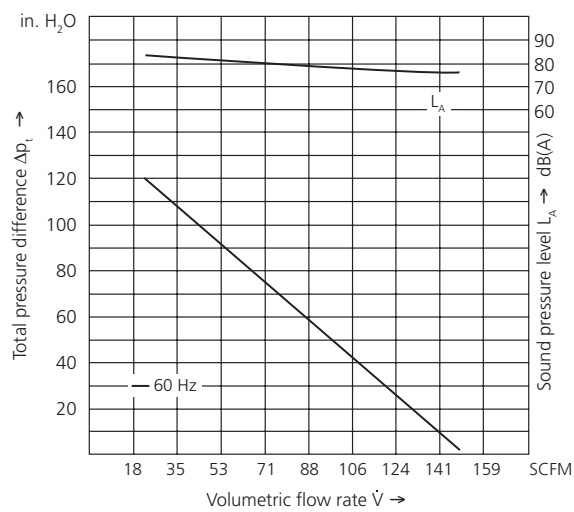
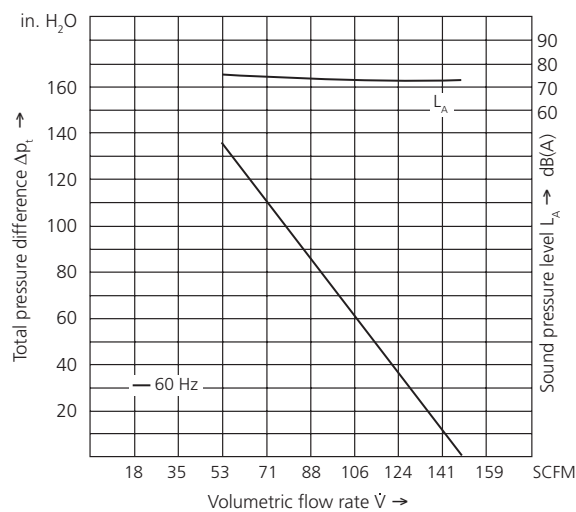
SD 540 VFD 5



Delivery includes inlet and outlet flanges NPT 2".

Type	Efficiency class	Frequency	Maximum performance when used as blower		Maximum performance when used as extractor		Motor ratings				Weight (approx.)
			\dot{V} max.	Δp_t max.	\dot{V} max.	Δp_t max.	Rated output	Voltage	Current	RPM	
		Hz	SCFM	in. H ₂ O	SCFM	in. H ₂ O	hp	V	A	min ⁻¹	lb
SD 540 VFD 5	NEMA Energy Efficient	60	148	137	148	120	3,5	230/460	9,3/4,65	3480	78

Pressure Vacuum



Elektror
airsystems gmbh

Hellmuth-Hirth-Str. 2
D-73760 Ostfildern
Germany
sales@elektror.com
www.elektror.com

FE
Fuji Electric

Fuji Electric Corp. of America
47520 Westinghouse Drive
Fremont, CA 94539
USA
x-fea-rc-group@fujielctric.com
www.americas.fujielctric.com

Elektror