

# 6MBP30XSK065-50

IGBT Modules

IGBT Module (X series)  
650V / 30A / IPM

### Features

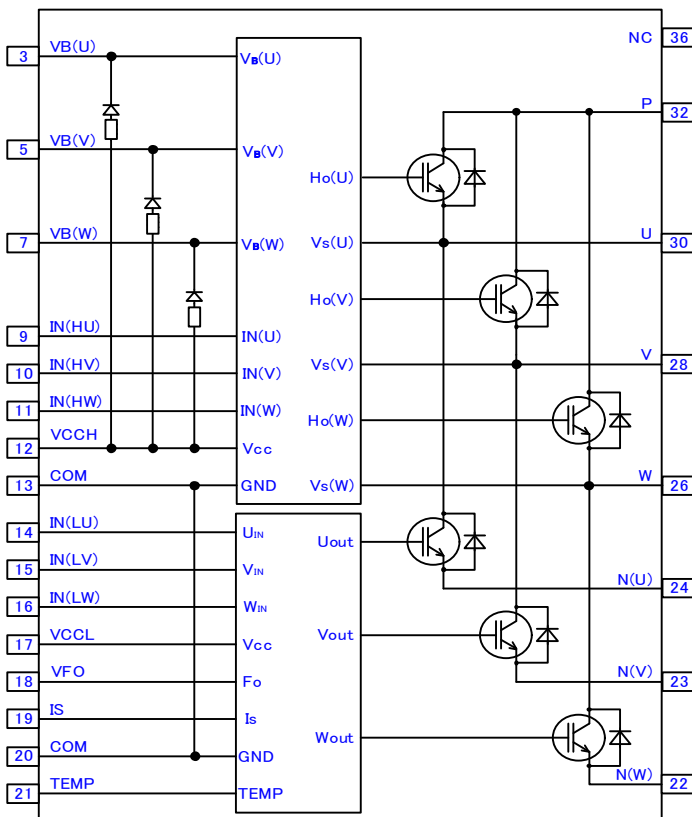
- Low-side IGBTs are separate emitter type
- Short circuit protection
- Temperature sensor output function
- Overheating protection
- Under voltage protection
- Fault signal output function
- Input interface : TTL(3.3V/5V)Active high logic

### Applications

AC 100 ~ 240V three phase inverter drive for small power  
AC motor drives (such as compressor motor drive for air conditioner, compressor motor drive for heat pump applications, fan motor drive, ventilator motor drive)



### Terminal assign and Internal circuit



Pin No.	Pin Name	Pin Description
3	VB(U)	High-side bias voltage for U-phase IGBT driving
5	VB(V)	High-side bias voltage for V-phase IGBT driving
7	VB(W)	High-side bias voltage for W-phase IGBT driving
9	IN(HU)	Signal input for high side U-phase
10	IN(HV)	Signal input for high side V-phase
11	IN(HW)	Signal input for high side W-phase
12	VCCH	High-side control supply
13	COM	Common supply ground
14	IN(LU)	Signal input for low side U-phase
15	IN(LV)	Signal input for low side V-phase
16	IN(LW)	Signal input for low side W-phase
17	VCCL	Low-side control supply
18	VFO	Fault output
19	IS	Over current sensing voltage input
20	COM	Common supply ground
21	TEMP	Temperature sensor output
22	N(W)	Negative bus voltage input for W-phase
23	N(V)	Negative bus voltage input for V-phase
24	N(U)	Negative bus voltage input for U-phase
26	W	Motor W-phase output
28	V	Motor V-phase output
30	U	Motor U-phase output
32	P	Positive bus voltage input
36	NC	No Connection

# 6MBP30XSK065-50

■ Absolute maximum ratings ( $T_{vj}=25^{\circ}\text{C}, T_c=25^{\circ}\text{C}, V_{cc}=15\text{V}$  unless otherwise specified)

Items	Symbol	Conditions	Units	Remarks	
Inverter block	DC bus voltage	$V_{DC(\text{terminal})}$	450	V Note*1, See Fig.2-2	
	Bus voltage (surge)	$V_{DC(\text{surge,terminal})}$	500	V Note*1, See Fig.2-2	
	Collector-Emitter voltage	$V_{CE(\text{chip})}$	650	V Note*1, See Fig.2-2	
	Collector current	$I_C$	30	A Note*2	
	Peak collector current	$I_{CP}$	60	A	$V_{CC} \geq 15\text{V}, V_{B^{(*)}} \geq 15\text{V}$ Note*2,*3,*4
			40	A	$V_{CC} \geq 13\text{V}, V_{B^{(*)}} \geq 13\text{V}$ Note*2,*3,*4
	Forward current	$I_F$	30	A Note*2	
	Peak forward current	$I_{FP}$	60	A Note*2	
	Collector power dissipation	$P_{D\_IGBT}$	56.8	W	per single IGBT $T_c=25^{\circ}\text{C}$
	FWD power dissipation	$P_{D\_FWD}$	43.7	W	per single FWD $T_c=25^{\circ}\text{C}$
	Self operation "DC bus voltage" of circuit protection between upper-arm and lower-arm	$V_{DC(\text{SC})}$	400	V	$V_{CC}=V_{B^{(*)}}=13.5\sim 16.5\text{V}$ $T_{vj}=125^{\circ}\text{C}$ , arm short circuit, non-repetitive less than 2us See Fig.2-2
	Virtual junction temperature	$T_{vj}$	150	$^{\circ}\text{C}$	Note*8
	Operating virtual junction temperature (under switching conditions)	$T_{vjop}$	-40 ~ +150	$^{\circ}\text{C}$	
Control circuit block	High-side supply voltage	$V_{CCH}$	-0.5~20	V	Applied between VCCH-COM
	Low-side supply voltage	$V_{CCL}$	-0.5~20	V	Applied between VCCL-COM
	High-side bias absolute voltage	$V_{VB(\text{U})\text{-COM}}$	-0.5~670	V	Applied between VB(U)-COM, VB(V)-COM, VB(W)-COM
		$V_{VB(\text{V})\text{-COM}}$			
		$V_{VB(\text{W})\text{-COM}}$			
	High-side bias voltage for IGBT gate driving	$V_{B(\text{U})}$ $V_{B(\text{V})}$ $V_{B(\text{W})}$	-0.5~20	V	Note*4
	High-side bias offset voltage	$V_U$ $V_V$ $V_W$	-5~650	V	Applied between U-COM, V-COM, W-COM Note*5
	Input signal voltage	$V_{IN}$	-0.5~ $V_{CCH}+0.5$ -0.5~ $V_{CCL}+0.5$	V	Note*6
	Input signal current	$I_{IN}$	3	mA	sink current
	Fault signal voltage	$V_{FO}$	-0.5~ $V_{CCL}+0.5$	V	Applied between VFO-COM
	Fault signal current	$I_{FO}$	1	mA	sink current
Over current sensing input voltage	$V_{IS}$	-0.5~ $V_{CCL}+0.5$	V	Applied between IS-COM	
Virtual junction temperature	$T_{vj}$	150	$^{\circ}\text{C}$		
Operating case temperature	$T_c$	-40~+125	$^{\circ}\text{C}$	See Fig.1-1	
Storage temperature	$T_{stg}$	-40~+125	$^{\circ}\text{C}$		
Isolation voltage	$V_{isol}$	AC1500	Vrms	Sine wave, 60Hz $t = 1\text{min}$ , Note*7	
Mounting torque of screws	$M_s$	0.59~0.98	N·m	Mounting screw : M3	

Note

- \*1 :  $V_{DC}$  is applied between P-N(U), P-N(V), P-N(W).  
 $V_{CE}$  is Collector-Emitter voltage of internal IGBT chip.
- \*2 : Pulse width and duty are limited by  $T_{vjmax}$ .
- \*3 :  $V_{CC}$  is applied between VCCH-COM, VCCL-COM.
- \*4 :  $V_{B^{(*)}}$  is applied between VB(U)-U, VB(V)-V, VB(W)-W.
- \*5 : Over 13.0V applied between VB(U)-U, VB(V)-V, VB(W)-W. This IPM module might make incorrect response if the high-side bias offset voltage is less than -5V.
- \*6 : Applied between IN(HU)-COM, IN(HV)-COM, IN(HW)-COM, IN(LU)-COM, IN(LV)-COM, IN(LW)-COM.
- \*7 : Applied between shorted all terminal and IMS (Insulated Metal Substrate).
- \*8 : The maximum temperature during continuous operation is  $T_{vj}=150^{\circ}\text{C}$ .  
The operating conditions have to be decided so that the temperature is below  $T_{vj}=150^{\circ}\text{C}$ .  
Continuous operation at over  $T_{vj}=150^{\circ}\text{C}$  may result in degradation of product lifetime such as power cycling capability.

# 6MBP30XSK065-50

**■ Electrical characteristics**
**● Inverter block ( $T_{vj}=25^{\circ}\text{C}$  unless otherwise specified)**

Description	Symbol	Conditions	min.	typ.	max	Unit	
Zero gate voltage collector current	$I_{CE}$	$V_{CE}=650\text{V}$ $V_{IN}=0\text{V}$	$T_{vj}=25^{\circ}\text{C}$	-	-	1	mA
			$T_{vj}=125^{\circ}\text{C}$	-	-	10	mA
Collector-Emitter saturation voltage	$V_{CE(sat)}$	$V_{CC}=+15\text{V}$ $V_{B(*)}=+15\text{V}$ $V_{IN}=5\text{V}$ $V_{IS}=0\text{V}$ Note *3, *4	$I_C=3\text{A}$ $T_{vj}=25^{\circ}\text{C}$	-	0.90	1.10	V
			$I_C=30\text{A}$ $T_{vj}=25^{\circ}\text{C}$	-	1.60	1.90	
			$I_C=30\text{A}$ $T_{vj}=125^{\circ}\text{C}$	-	1.75	2.10	
Forward voltage	$V_F$	$I_F=30\text{A}$ $V_{IN}=0\text{V}$	$T_{vj}=25^{\circ}\text{C}$	-	2.00	2.50	V
			$T_{vj}=125^{\circ}\text{C}$	-	2.15	-	
Turn-on time	$t_{on}$	$V_{DC}=300\text{V}$	0.65	1.05	1.45	$\mu\text{s}$	
Turn-on delay time	$t_{d(on)}$	$I_C=30\text{A}$	-	0.90	-		
Turn-on rise time	$t_r$	$V_{CC}=15\text{V}$	-	0.15	-		
$V_{CE}-I_C$ cross time of turn-on	$t_{c(on)}$	$V_{B(*)}=15\text{V}$	-	0.40	0.70		
Turn-off time	$t_{off}$	$T_{vj}=125^{\circ}\text{C}$	-	1.20	1.70		
Turn-off delay time	$t_{d(off)}$	$V_{IN}=0\text{V} \leftrightarrow 5\text{V}$	-	1.05	-		
Turn-off fall time	$t_f$	$V_{IS}=0\text{V}$	-	0.10	-		
$V_{CE}-I_C$ cross time of turn-off	$t_{c(off)}$	See Fig.2-1	-	0.20	0.40		
Reverse recovery time	$t_{rr}$	Note *1, *3, *4	-	0.30	-		

# 6MBP30XSK065-50

**■ Electrical characteristics**
**● Control circuit block**
**( $T_{vj}=25^{\circ}\text{C}$ ,  $V_{CC}=15\text{V}$ ,  $V_{B(*)}=15\text{V}$ ,  $V_{IN}=0\text{V}$ ,  $V_{IS}=0\text{V}$  unless otherwise specified)**

Description	Symbol	Conditions	min.	typ.	max	Unit
Circuit current of low-side	$I_{CCL}$	$V_{CCL}=15\text{V}$ $V_{IN}=5\text{V}$	-	0.6	0.9	mA
		$V_{CCL}=15\text{V}$ $V_{IN}=0\text{V}$	-	0.6	0.9	
Circuit current of high-side	$I_{CCH}$	$V_{CCH}=15\text{V}$ $V_{IN}=5\text{V}$	-	0.8	1.9	mA
		$V_{CCH}=15\text{V}$ $V_{IN}=0\text{V}$	-	0.8	1.9	
Circuit current of bootstrap circuit (per one unit)	$I_{CCHB}$	$V_{B(U)}=15\text{V}$ $V_{IN}=5\text{V}$	-	-	0.2	mA
		$V_{B(V)}=15\text{V}$ $V_{IN}=0\text{V}$ $V_{B(W)}=15\text{V}$	-	-	0.2	
Input signal threshold voltage	$V_{th(on)}$	Note*9	-	2.1	2.6	V
	$V_{th(off)}$		0.8	1.3	-	
Input signal threshold hysteresis voltage	$V_{th(hys)}$	$PW \geq 0.7\mu\text{s}$	0.35	0.8	-	V
Operational input pulse width of turn-on	$t_{IN(ON)}$	$V_{IN}=0\text{V}$ to 5V rise up Note*6, *9	0.5	-	-	$\mu\text{s}$
Operational input pulse width of turn-off	$t_{IN(OFF)}$	$V_{IN}=5\text{V}$ to 0V fall down Note*6, *9	0.7	-	-	$\mu\text{s}$
Input current	$I_{IN}$	$V_{IN}=5\text{V}$ Note*6	0.7	1.0	1.5	mA
Input pull-down resistance	$R_{IN}$	Note*6	3.3	5.0	7.2	$\text{k}\Omega$
Fault output voltage	$V_{FO(H)}$	$V_{IS}=0\text{V}$ , $V_{FO}$ terminal pull up to 5V by 10k $\Omega$	4.9	-	-	V
	$V_{FO(L)}$	$V_{IS}=1\text{V}$ , $I_{FO}=1\text{mA}$	-	-	0.95	V
Fault output pulse width	$t_{FO}$	Note*10 See Fig.2-3, 2-4	20	-	-	$\mu\text{s}$

# 6MBP30XSK065-50

## ■ Electrical characteristics

### ● Control circuit block (continued)

Description	Symbol	Conditions	min.	typ.	max	Unit	
Over current protection voltage level	$V_{IS(ref)}$	$V_{CC}=15V$ Note*3,11	0.455	0.480	0.505	V	
Over current protection delay time	$t_{d(IS)}$	See Fig.2-3	0.3	0.8	1.3	$\mu s$	
Output voltage of temperature sensor	$V_{(temp)}$	Note*12	$T_{vj(LVIC)}=90^{\circ}C$	2.63	2.77	2.91	V
			$T_{vj(LVIC)}=25^{\circ}C$	0.88	1.13	1.39	
LVIC overheating protection	$T_{OH}$	Note *12 See Fig.2-7	136	143	150	$^{\circ}C$	
$T_{OH}$ Hysteresis	$T_{OH(hys)}$		4	10	20	$^{\circ}C$	
$V_{CC}$ under voltage trip level of low-side	$V_{CCL(OFF)}$	$T_{vj}<150^{\circ}C$ See Fig.2-4	10.3	-	12.5	V	
$V_{CC}$ under voltage reset level of low-side	$V_{CCL(ON)}$		10.8	-	13.0	V	
$V_{CC}$ under voltage hysteresis	$V_{CCL(hys)}$		-	0.5	-	V	
$V_{CC}$ under voltage trip level of high-side	$V_{CCH(OFF)}$	$T_{vj}<150^{\circ}C$ See Fig.2-5	8.3	-	10.3	V	
$V_{CC}$ under voltage reset level of high-side	$V_{CCH(ON)}$		8.8	-	10.8	V	
$V_{CC}$ under voltage hysteresis	$V_{CCH(hys)}$		-	0.5	-	V	
$V_B$ under voltage trip level	$V_{B(OFF)}$	$T_{vj}<150^{\circ}C$ See Fig.2-6	10.0	-	12.0	V	
$V_B$ under voltage reset level	$V_{B(ON)}$		10.5	-	12.5	V	
$V_B$ under voltage hysteresis	$V_{B(hys)}$		-	0.5	-	V	
Forward voltage of bootstrap diode	$V_{F(BSD)}$	$T_{vj}=25^{\circ}C$ $I_{F(BSD)}=10mA$	1.5	1.7	1.9	V	
Built-in limiting Series Resistance (BSD)	$R_{S(BSD)}$	$T_{vj}=25^{\circ}C$	80	100	120	$\Omega$	

#### Note

\*9 : This IPM module might make incorrect response if the input signal pulse width is less than  $t_{IN(on)}$  and  $t_{IN(off)}$  .

\*10 : Fault signal is asserted corresponding to “Over-current protection”, “Under-voltage protection” at low-side, and “Overheat protection”.

Under the condition of “Over-current protection”, “Under-voltage protection” or “Overheat protection”, the fault signal is asserted continuously while these conditions are continuing. However, the minimum fault output pulse width is minimum 20 $\mu$ sec even if very short failure condition (which is less than 20 $\mu$ s) is triggered.

\*11 : Over current protection is functioning only for the low-side arms.

\*12 : Fig.1-1 shows the measurement position of temperature sensor.

# 6MBP30XSK065-50

IGBT Modules

## ■ Thermal characteristic( $T_c=25^\circ\text{C}$ )

Description	Symbol	min.	typ.	max	Unit
Junction to case thermal resistance (per single IGBT) Note*13	$R_{th(j-c)}_{IGBT}$	-	-	2.20	$^\circ\text{C}/\text{W}$
Junction to case thermal resistance (per single FWD) Note*13	$R_{th(j-c)}_{FWD}$	-	-	2.86	$^\circ\text{C}/\text{W}$

Note

\*13 : Thermal compound with good thermal conductivity should be applied evenly with +100 $\mu\text{m}$ ~+200 $\mu\text{m}$  on the contacting surface of this device and heat-sink.

## ■ Mechanical characteristics( $T_c=25^\circ\text{C}$ )

Description	Symbol	Conditions	min.	typ.	max	Unit
Mounting torque of screws	$M_s$	Mounting screw : M3	0.59	0.69	0.98	N·m
Heat-sink side flatness	-	The AL-IMS part: See (A1),(A2) of Fig.1-2 and Fig.1-3	-50	-	100	$\mu\text{m}$
		The resin case part: See (B1),(B2) of Fig.1-2 and Fig.1-3	-200	-	0	
Weight	-	-	-	9.3	-	g
Resistance to soldering heat	-	Solder temp : $260 \pm 5^\circ\text{C}$ Immersion time : $10 \pm 1\text{s}$ Solder alloy : Sn-Ag-Cu type	-	-	1	time

# 6MBP30XSK065-50

**IGBT Modules**
**■ Recommend operation conditions(Note\*17)**

Description	Symbol	min.	typ.	max	Unit
DC bus voltage	$V_{DC}$	0	300	400	V
High-side bias voltage for IGBT gate driving	$V_{B(*)}$	13.0	15.0	18.5	V
High-side supply voltage	$V_{CCH}$	13.5	15.0	16.5	V
Low-side supply voltage	$V_{CCL}$	13.5	15.0	16.5	V
Control supply variation (under swiching conditions)	$\Delta V_B$	-1	-	1	V/ $\mu$ s
	$\Delta V_{CC}$	-1	-	1	
Input signal voltage	$V_{IN}$	0	-	5	V
Voltage for current sensing	$V_{IS}$	0	-	5	V
Potential difference of between COM to N (including surge)	$V_{COM N}$	-5	-	5	V
Dead time for preventing arm-short ( $T_c \leq 125^\circ\text{C}$ )	$t_{DEAD}$	1.0	-	-	$\mu$ s
Output current (Note*14)	$I_O$	-	-	24.0	A rms
Minimum input pulse widht (Note*15,Note*16)	$PW_{IN(on)}$	0.5	-	-	$\mu$ s
	$PW_{IN(off)}$	0.7	-	-	$\mu$ s
PWM input frequency	$f_{PWM}$	-	-	20	kHz
Operating virtual junction temperature	$T_{vjop}$	-30	-	150	$^\circ\text{C}$

**Note**

\*14 :  $V_{DC}=300\text{V}$ ,  $V_{CCH}=V_{CCL}=V_{B(*)}=15\text{V}$ ,  $\text{PF}=0.8$ , Sinusoidal PWM, 3phase modulation,  $T_{vj} \leq 150^\circ\text{C}$ ,  $T_c \leq 100^\circ\text{C}$ ,  $f_{PWM}=5\text{kHz}$ ,  $f_o=200\text{Hz}$ ,  $K_s=0.9$

\*15 : In the pulse width of 0.5 $\mu$ s, the loss of IGBT increases for the saturation operation.  
To reduce the loss of IGBT, please enlarge the pulse width more than the switching time of IGBT.

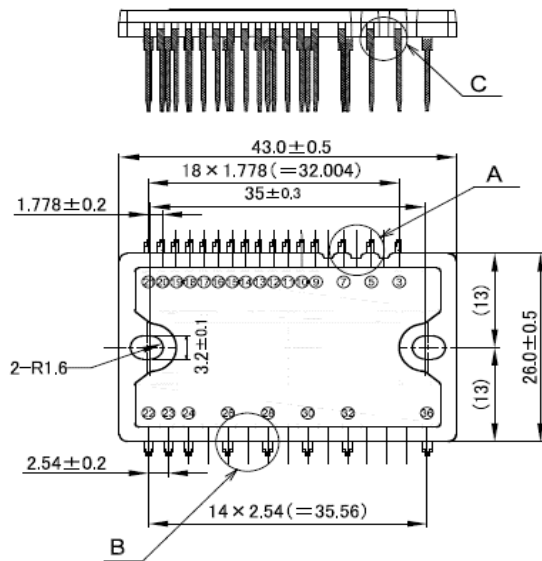
\*16 : This IPM module might response according to input signal pulse even when the input signal pulse width is less than  $PW_{IN(on)}$  and  $PW_{IN(off)}$ .

\*17 : Recommended operating conditions are conditions for guaranteeing that the product operates normally.  
If it is used beyond this condition, operation and reliability may be adversely affected.

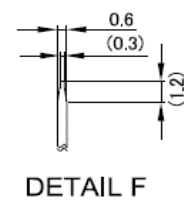
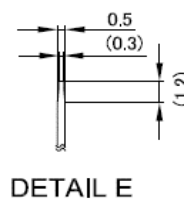
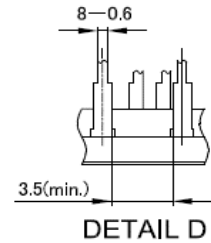
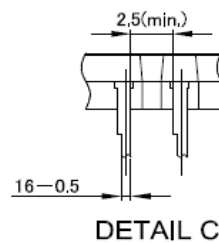
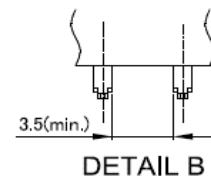
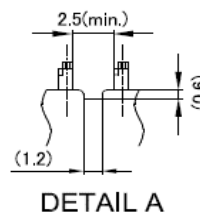
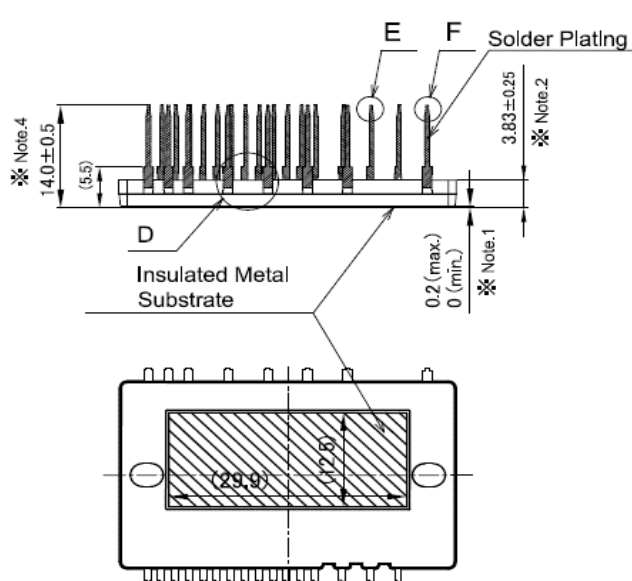
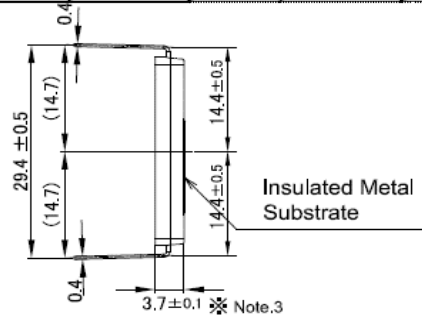
# 6MBP30XSK065-50

IGBT Modules

## ■ Packing outline dimensions ( $T_c=25^\circ\text{C}$ )



Pin No.	Pin Name	Pin No.	Pin Name	Pin No.	Pin Name
3	VB(U)	14	IN(L,U)	22	N(W)
5	VB(V)	15	IN(L,V)	23	N(V)
7	VB(W)	16	IN(L,W)	24	N(U)
9	IN(H,U)	17	VCCL	26	W
10	IN(H,V)	18	VFO	28	V
11	IN(H,W)	19	IS	30	U
12	VCCH	20	COM	32	P
13	COM	21	TEMP	36	NC



Unit: mm

Note.1

IMS(Insulated Metal Substrate) is deliberately protruded to improve the thermal conductivity between IMS and heat-sink.

Note.2

The thickness from the package surface to the back side includes the IMS.

Note.3

Thickness of the case part of the package outer wall. (excluding the IMS and marking surface)

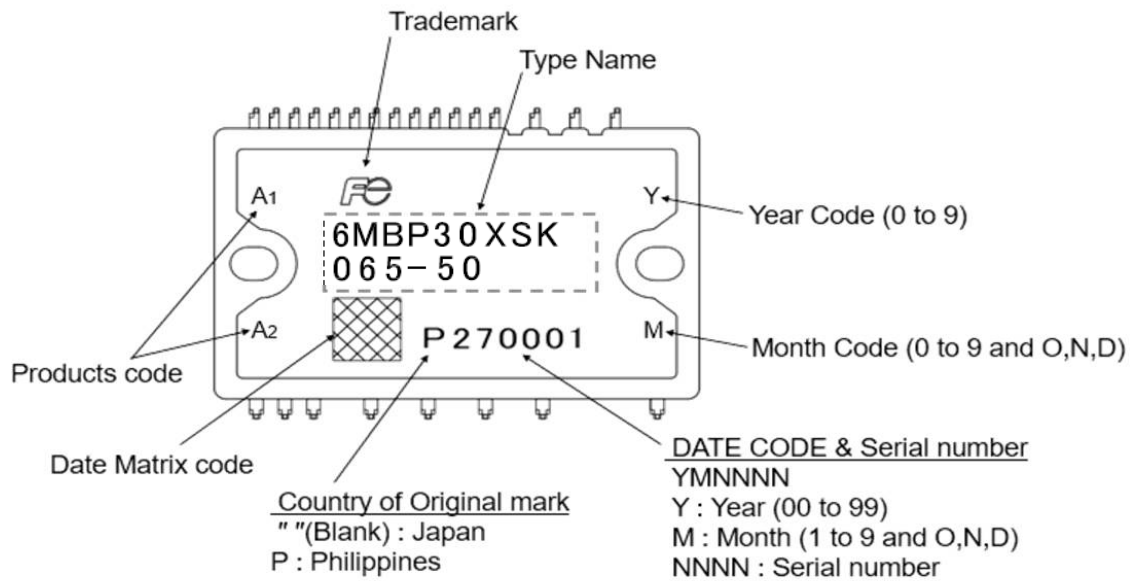
Note.4

Height of the terminal and height of the stopper part including IMS.

# 6MBP30XSK065-50

IGBT Modules

■ **Marking**



**Note**

Product code A<sub>1</sub> means current ratings , and "O" is marked.

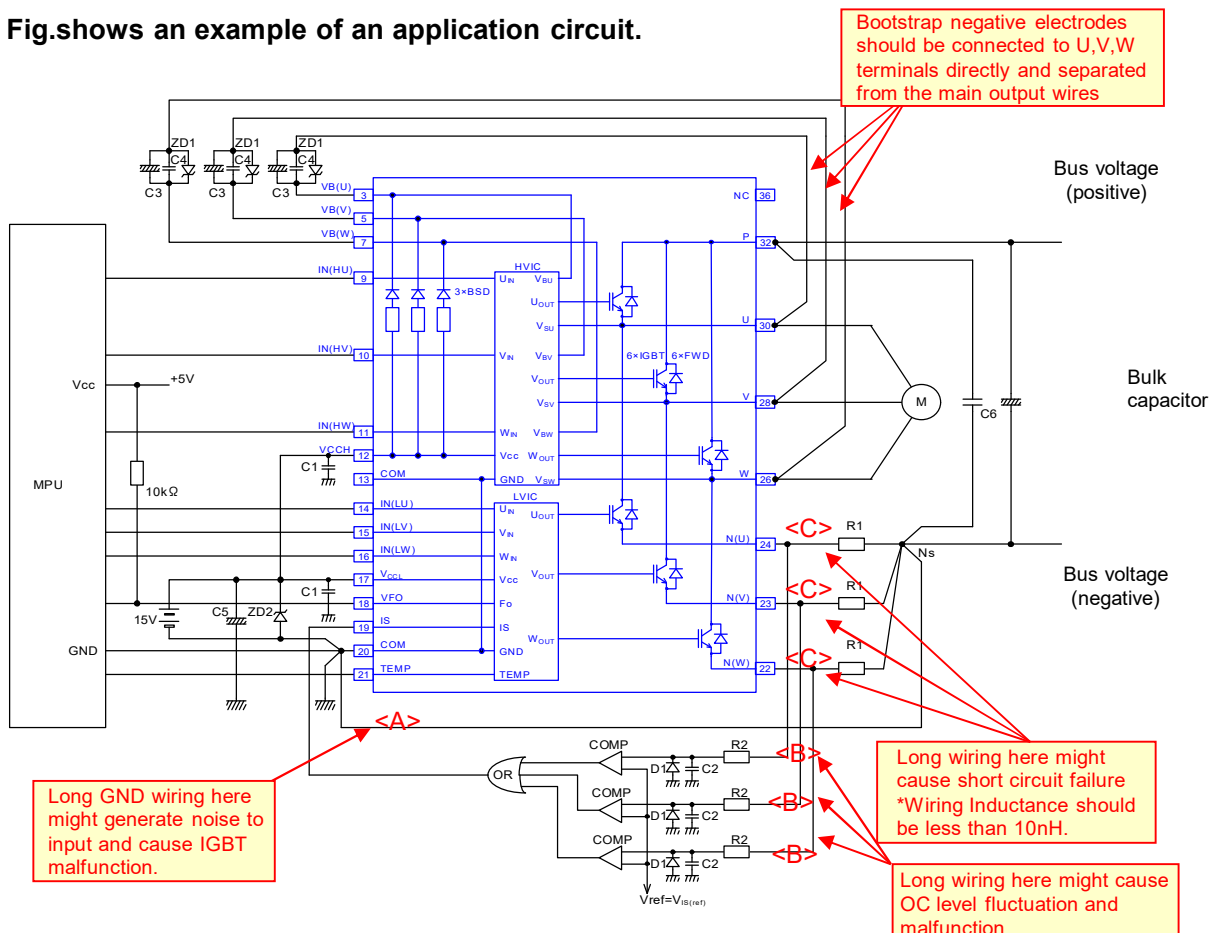
Product code A<sub>2</sub> means variations , and "K" is marked.

# 6MBP30XSK065-50

IGBT Modules

■ An example of application circuit.

● Fig.shows an example of an application circuit.



<Note

1. Input signal for drive is High-Active. There is a pull-down resistor built in the IC input circuit. To prevent malfunction, the wiring of each input should be as short as possible. When using R-C coupling circuit, make sure the input signal level meet the turn-on and turn-off threshold voltage.
2. By the function of the HVIC, it is possible of the direct coupling to microprocessor (MPU) without any photo-coupler or pulse-transformer isolation.
3. VFO output is open drain type. It should be pulled up to the positive side of a 5V power supply by a resistor of about 10kΩ.
4. To prevent erroneous protection, the wiring of (A), (B), (C) should be as short as possible.
5. The time constant R2-C2 of the protection circuit should be selected approximately 0.7μs. Over current (OC) shutdown time might vary due to the wiring pattern. Tight tolerance, temp-compensated type is recommended for R2, C2.
6. Please set the threshold voltage of the comparator reference input to be same as the IPM OC trip reference voltage  $V_{IS(ref)}$ .
7. Please use high speed type comparator and logic IC to detect OC condition quickly.
8. If negative voltage of R1 at the switching timing is applied, the schottky barrier diode D1 is recommended to be inserted parallel to R1.
9. All capacitors should be mounted as close to the terminals of the IPM as possible. (C1, C4 : narrow temperature drift, higher frequency and DC bias characteristic ceramic type are recommended, and C3, C5: narrow temperature drift, higher frequency and electrolytic type.)
10. To prevent surge destruction, the wiring between the snubber capacitor and the P terminal, Ns node should be as short as possible. Generally a 0.1μ to 0.22μF snubber capacitor (C6) between the P terminal and Ns node is recommended.
11. Two COM terminals (13 & 20 pin) are connected inside the IPM, it must be connected either one to the signal GND outside and leave another one open.
12. It is recommended to insert a zener-diode (22V) between each pair of control supply terminals to prevent surge destruction.
13. If signal GND is connected to power GND by broad pattern, it may cause malfunction by power GND fluctuation. It is recommended to connect signal GND and power GND at only a point.

# 6MBP30XSK065-50

IGBT Modules

Fig.1-1 :  
The measurement position of temperature sensor.

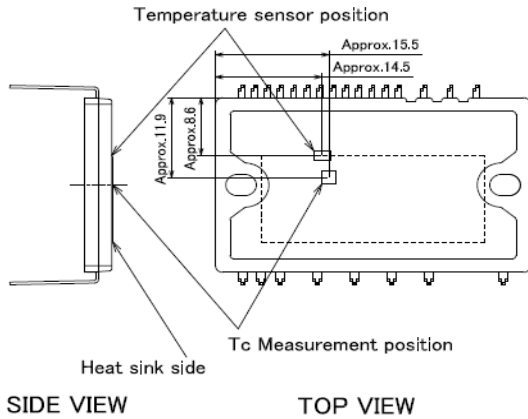


Fig.1-2 :  
The measurement position of heat sink flatness.

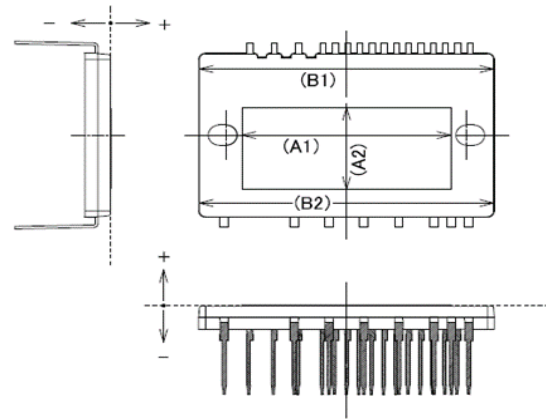
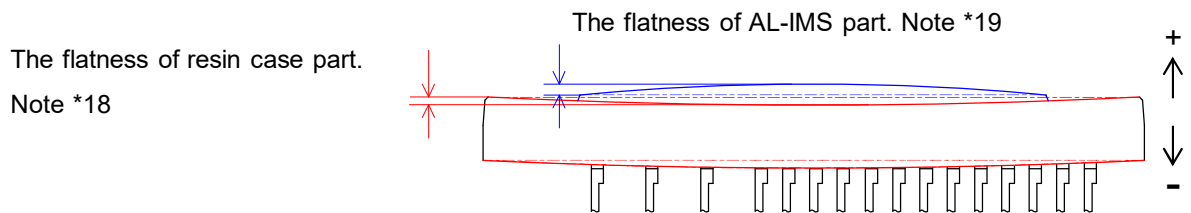


Fig.1-3 :  
The magnified cross section image of warp direction.

\* This image is a stretched drawing.(Not true scale)

\* A positive value means the AL-IMS direction. A negative value means the marking surface direction.

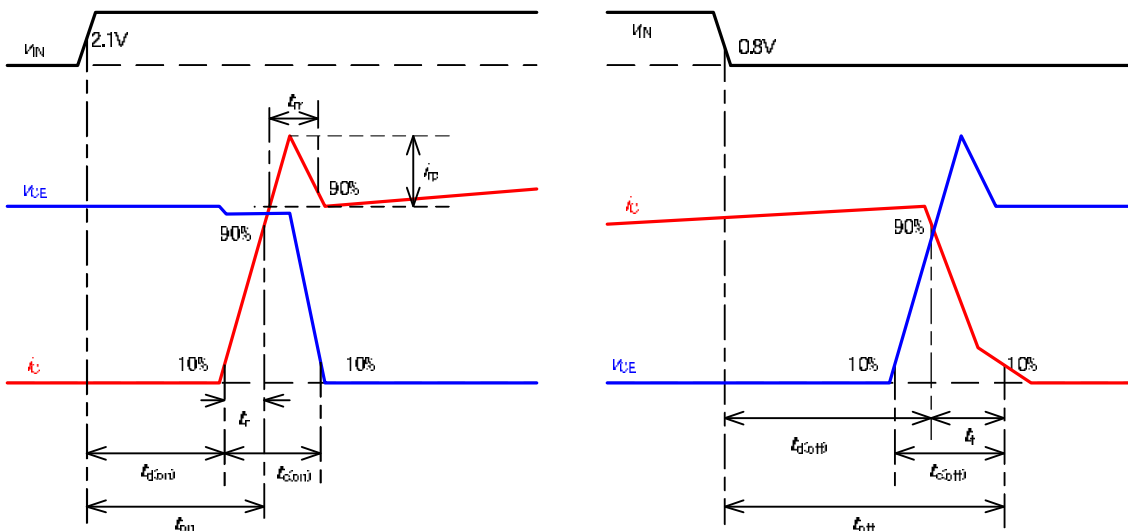


Note

\*18: The virtual datum level assumes a straight line to link both ends of the resin case.

\*19 : The virtual datum level assumes a straight line to link both ends of the AL-IMS.

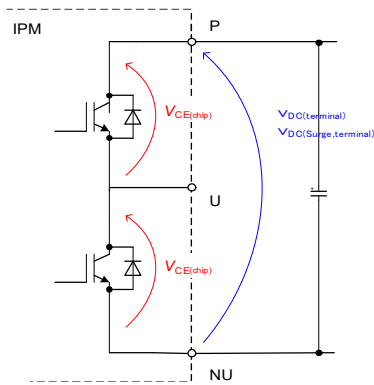
Fig.2-1 Switching waveforms



# 6MBP30XSK065-50

IGBT Modules

Fig.2-2 Rated voltage



•  $V_{DC(terminal)}$ ,  $V_{DC(Surge,terminal)}$  are applied between P-N(U), P-N(V), P-N(W) at the lead stopper.

•  $V_{CE(chip)}$  is Collector-Emitter voltage of internal IGBT chip.

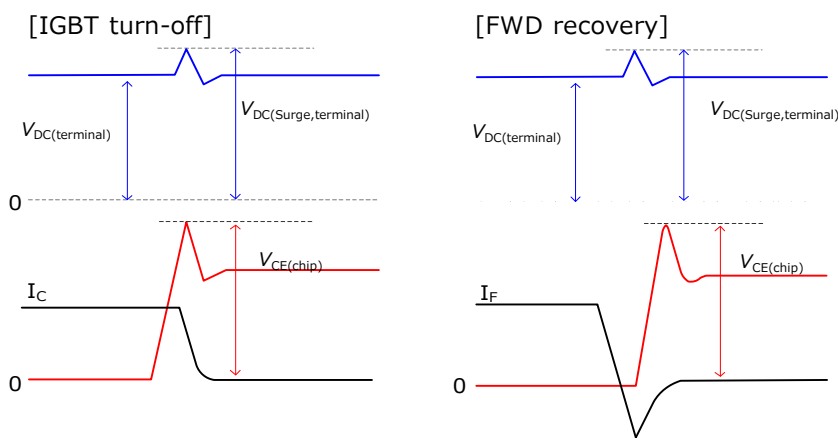
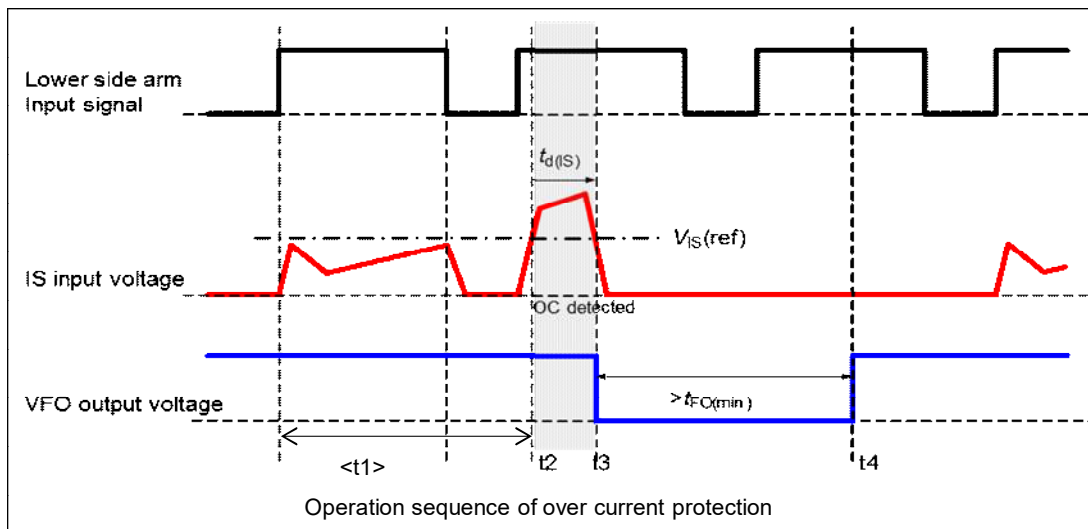


Fig.2-3 Operation sequence of over current protection



<t1> : IS input voltage does not exceed  $V_{IS(ref)}$ , while the collector current of the lower side IGBT is under the normal operation.

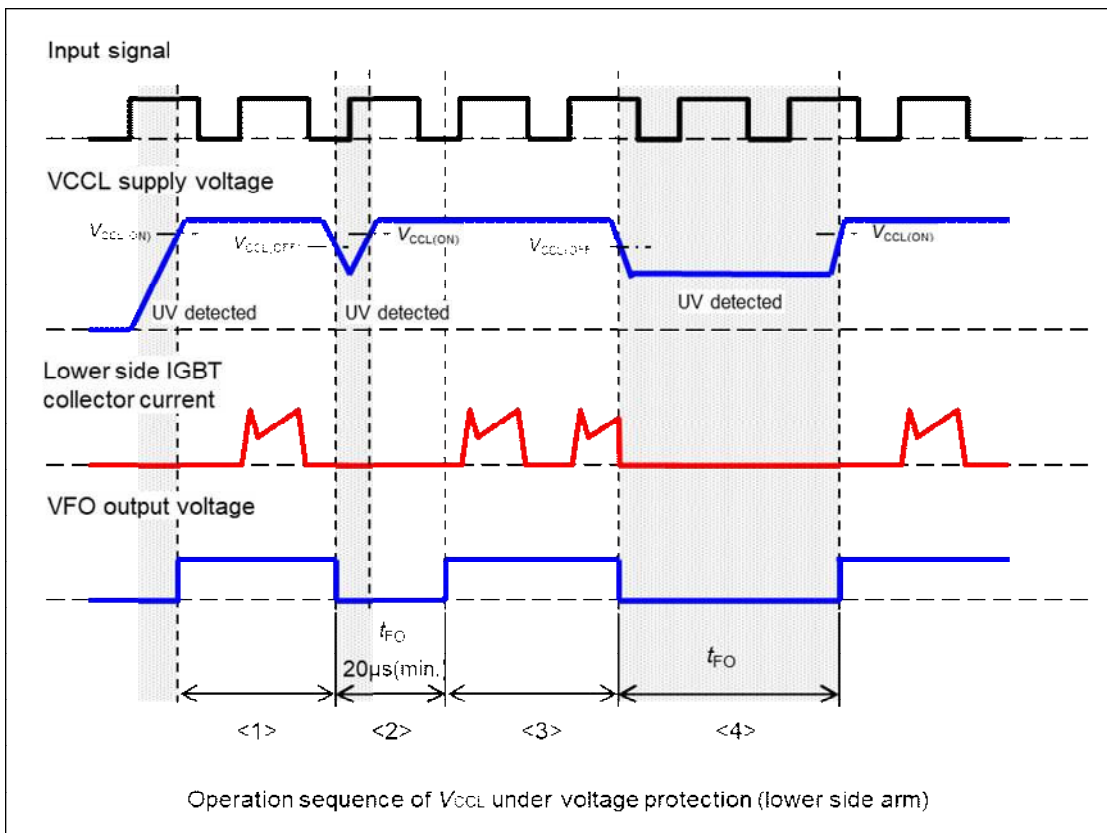
t2 : When is input voltage exceeds  $V_{IS(ref)}$ , the OC is detected.

t3 : The fault output VFO is activated and all lower side IGBT shut down simultaneously after the over current protection delay time  $t_{d(IS)}$ . Inherently there is dead time of LVIC in  $t_{d(IS)}$ .

t4 : After the fault output pulse width  $t_{FO}$ , the OC is reset. Then next input signal is activated.

# 6MBP30XSK065-50

Fig.2-4 Operation sequence of  $V_{CCL}$  under voltage protection (lower side arm)

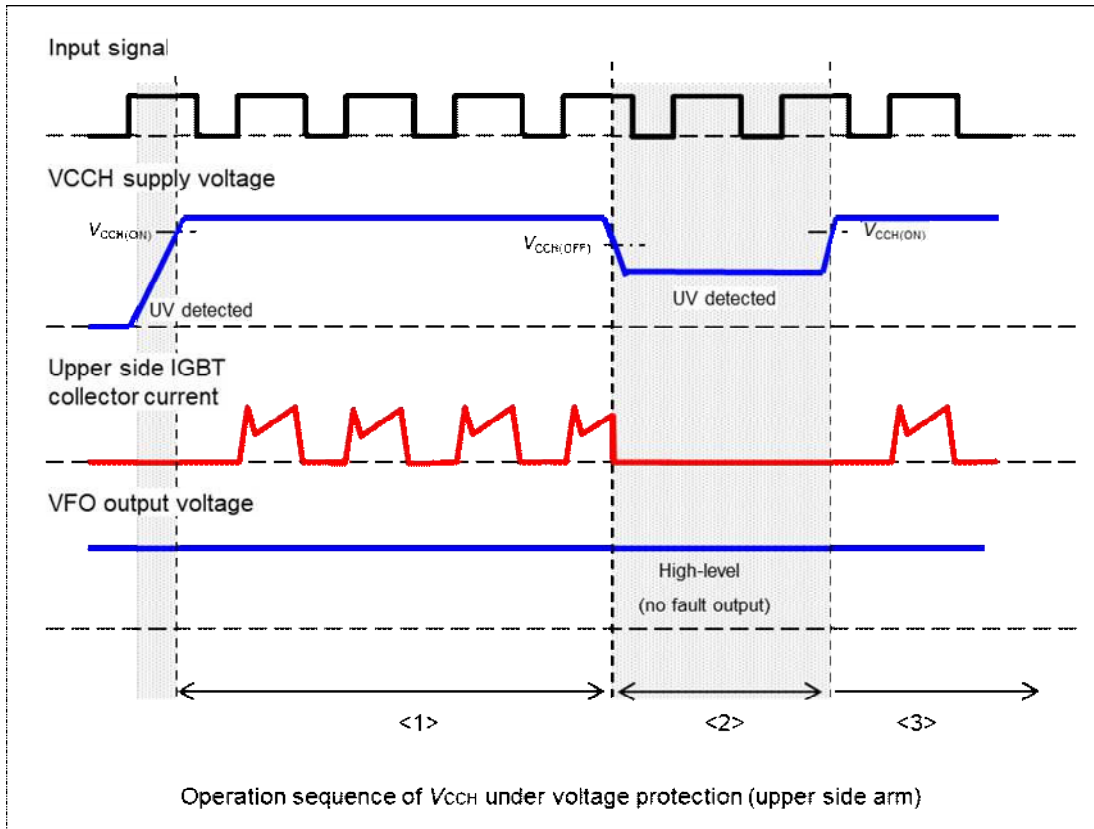


When  $V_{CCL}$  is under 4V, UV and fault output are not activated.

- <1> When  $V_{CCL}$  is under  $V_{CCL(ON)}$ , all lower side IGBTs are OFF state.  
After  $V_{CCL}$  rises to  $V_{CCL(ON)}$ , the fault output VFO is released (high level).  
And the LVIC starts to operate, then next input is activated.
- <2> The fault output VFO is activated when  $V_{CCL}$  falls below  $V_{CCL(OFF)}$ , and all lower side IGBT remains OFF state.  
When the voltage drop time is less than  $20\mu s$ , the fault output pulse width is generated minimum  $20\mu s$  and all lower side IGBTs are OFF state in spite of input signal condition during that time.
- <3> UV is reset after  $t_{FO}$  when  $V_{CCL}$  exceeds  $V_{CCL(ON)}$  and the fault output VFO is reset simultaneously.  
And the LVIC starts to operate, then next input is activated.
- <4> When the voltage drop time is more than  $t_{FO}$ , the fault output pulse width is generated and all lower side IGBTs are OFF state in spite of input signal condition during the same time.

# 6MBP30XSK065-50

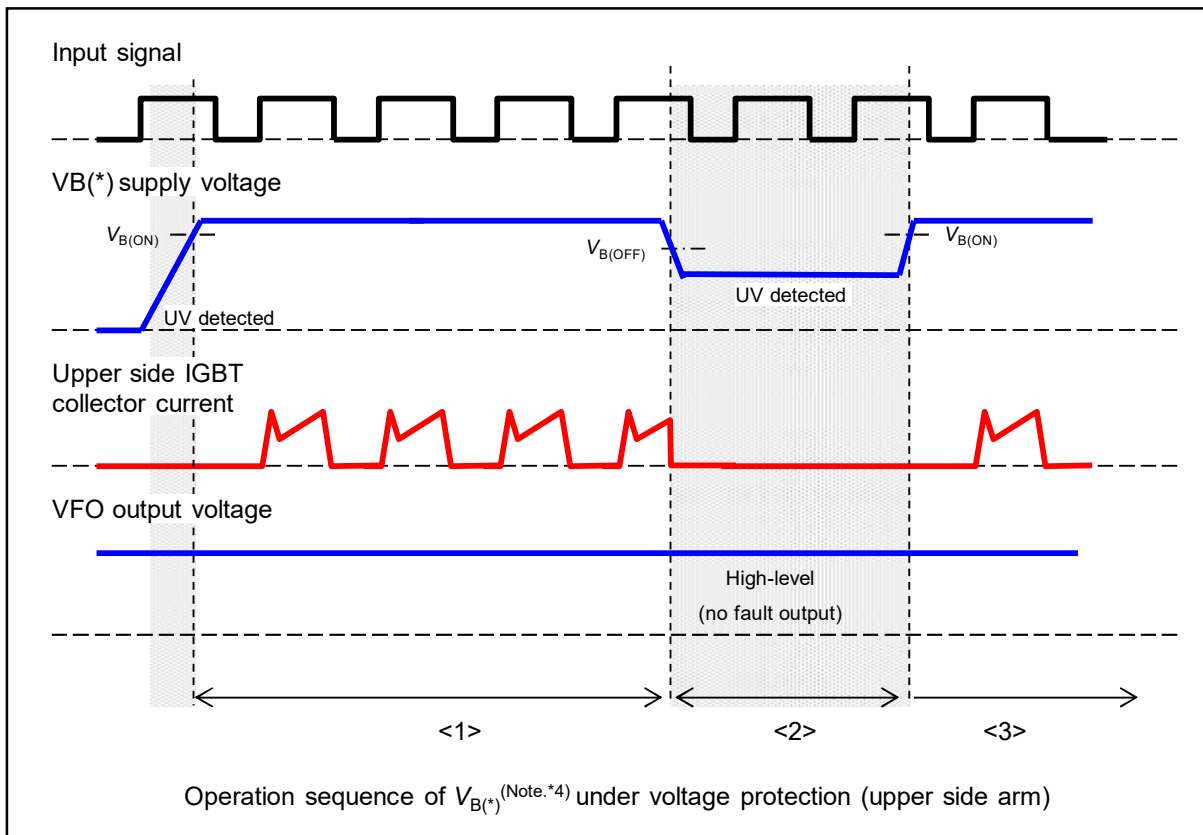
Fig.2-5 Operation sequence of  $V_{CCH}$  under voltage protection (upper side arm)



- <1> When  $V_{CCH}$  is under  $V_{CCH(ON)}$ , the upper side IGBT is OFF state.  
After  $V_{CCH}$  exceeds  $V_{CCH(ON)}$ , the HVIC starts to operate. Then next input is activated.  
The fault output VFO is constant (high level) not depending on  $V_{CCH}$ .
- <2> After  $V_{CCH}$  falls below  $V_{CCH(OFF)}$ , the upper side IGBT remains OFF state.  
But the fault output VFO remains at high level.
- <3> The HVIC starts to operate after UV is reset, then next input is activated.

# 6MBP30XSK065-50

Fig.2-6 Operation sequence of  $V_{B(*)}$  under voltage protection (upper side arm)



- <1> When  $V_{B(U)}$ ,  $V_{B(V)}$  or  $V_{B(W)}$  are under  $V_{B(ON)}$ , the corresponding upper side IGBTs are OFF state. After  $V_{B(U)}$ ,  $V_{B(V)}$  or  $V_{B(W)}$  exceed  $V_{B(ON)}$ , the corresponding upper side IGBTs start to operate. Then next input is activated. The fault output VFO is constant (high level) not depending on  $V_{B(*)}$ . (Note\*20)
- <2> After  $V_{B(U)}$ ,  $V_{B(V)}$  or  $V_{B(W)}$  fall below  $V_{B(OFF)}$ , the corresponding upper side IGBTs remain OFF state. But the fault output VFO keeps high level.
- <3> The HVIC starts to operate after UV is reset, then next input is activated.

Note \*20 : The fault output is not given HVIC bias conditions.

## Warnings

1. This Catalog contains the product specifications, characteristics, data, materials, and structures as of #####. The contents are subject to change without notice for specification changes or other reasons. When using a product listed in this Catalog, be sure to obtain the latest specifications.
2. All applications described in this Catalog exemplify the use of Fuji Electric's products for your reference only. No right or license, either express or implied, under any patent, copyright, trade secret or other intellectual property right owned by Fuji Electric Co., Ltd. is (or shall be deemed) granted. Fuji Electric Co., Ltd. makes no representation or warranty, whether express or implied, relating to the infringement or alleged infringement of other's intellectual property rights which may arise from the use of the applications described herein.
3. Although Fuji Electric Co., Ltd. is enhancing product quality and reliability, a small percentage of semiconductor products may become faulty. When using Fuji Electric semiconductor products in your equipment, you are requested to take adequate safety measures to prevent the equipment from causing a physical injury, fire, or other problem if any of the products become faulty. It is recommended to make your design fail-safe, flame retardant, and free of malfunction.
4. The products introduced in this Catalog are intended for use in the following electronic and electrical equipment which has normal reliability requirements.
  - Computers ·OA equipment ·Communications equipment (terminal devices) ·Measurement equipment
  - Machine tools ·Audiovisual equipment ·Electrical home appliances ·Personal equipment ·Industrial robots etc.
5. If you need to use a product in this Catalog for equipment requiring higher reliability than normal, such as for the equipment listed below, it is imperative to contact Fuji Electric Co., Ltd. to obtain prior approval. When using these products for such equipment, take adequate measures such as a backup system to prevent the equipment from malfunctioning even if a Fuji Electric's product incorporated in the equipment becomes faulty.
  - Transportation equipment (mounted on cars and ships) ·Trunk communications equipment
  - Traffic-signal control equipment ·Gas leakage detectors with an auto-shut-off feature
  - Emergency equipment for responding to disasters and anti-burglary devices ·Safety devices ·Medical equipment
6. Do not use products in this Catalog for the equipment requiring strict reliability such as the following and equivalents to strategic equipment (without limitation).
  - Space equipment ·Aeronautic equipment ·Nuclear control equipment ·Submarine repeater equipment
7. Copyright (c)1996-2025 by Fuji Electric Co., Ltd. All rights reserved.  
No part of this Catalog may be reproduced in any form or by any means without the express permission of Fuji Electric Co., Ltd.
8. If you have any question about any portion in this Catalog, ask Fuji Electric Co., Ltd. or its sales agents before using the product. Neither Fuji Electric Co., Ltd. nor its agents shall be liable for any injury caused by any use of the products not in accordance with instructions set forth herein.

# Technical Information

## IGBT Modules

- Please refer to URLs below for further information about products, application manuals and design support.
- 关于本规格书中没有记载的产品信息，应用手册，技术信息等，请参考以下链接。
- 本データシートに記載されていない製品情報，アプリケーションマニュアル，デザインサポートは以下の URL をご参照下さい。

### FUJI ELECTRIC Power Semiconductor WEB site

日本	<a href="http://www.fujielectric.co.jp/products/semiconductor/">www.fujielectric.co.jp/products/semiconductor/</a>
Global	<a href="http://www.fujielectric.com/products/semiconductor/">www.fujielectric.com/products/semiconductor/</a>
中国	<a href="http://www.fujielectric.com/products/semiconductor/cn/">www.fujielectric.com/products/semiconductor/cn/</a>
Europe	<a href="http://www.fujielectric-europe.com/products/semiconductors/">www.fujielectric-europe.com/products/semiconductors/</a>
North America	<a href="http://www.americas.fujielectric.com/products/semiconductors/">www.americas.fujielectric.com/products/semiconductors/</a>

### Information

#### 日本

1 半導体総合カタログ	<a href="http://www.fujielectric.co.jp/products/semiconductor/catalog/">www.fujielectric.co.jp/products/semiconductor/catalog/</a>
2 製品情報	<a href="http://www.fujielectric.co.jp/products/semiconductor/model/">www.fujielectric.co.jp/products/semiconductor/model/</a>
3 アプリケーションマニュアル	<a href="http://www.fujielectric.co.jp/products/semiconductor/model/igbt/application/">www.fujielectric.co.jp/products/semiconductor/model/igbt/application/</a>
4 デザインサポート	<a href="http://www.fujielectric.co.jp/products/semiconductor/model/igbt/technical/">www.fujielectric.co.jp/products/semiconductor/model/igbt/technical/</a>
5 マウンティングインストラクション	<a href="http://www.fujielectric.co.jp/products/semiconductor/model/igbt/mounting/">www.fujielectric.co.jp/products/semiconductor/model/igbt/mounting/</a>
6 IGBT 損失シミュレーションソフト	<a href="http://www.fujielectric.co.jp/products/semiconductor/model/igbt/simulation/">www.fujielectric.co.jp/products/semiconductor/model/igbt/simulation/</a>
7 富士電機技報	<a href="http://www.fujielectric.co.jp/products/semiconductor/journal/">www.fujielectric.co.jp/products/semiconductor/journal/</a>
8 製品のお問い合わせ	<a href="http://www.fujielectric.co.jp/products/semiconductor/contact/">www.fujielectric.co.jp/products/semiconductor/contact/</a>

#### Global

1 Semiconductors General Catalog	<a href="http://www.fujielectric.com/products/semiconductor/catalog/">www.fujielectric.com/products/semiconductor/catalog/</a>
2 Product Information	<a href="http://www.fujielectric.com/products/semiconductor/model/">www.fujielectric.com/products/semiconductor/model/</a>
3 Application Manuals	<a href="http://www.fujielectric.com/products/semiconductor/model/igbt/application/">www.fujielectric.com/products/semiconductor/model/igbt/application/</a>
4 Design Support	<a href="http://www.fujielectric.com/products/semiconductor/model/igbt/technical/">www.fujielectric.com/products/semiconductor/model/igbt/technical/</a>
5 Mounting Instructions	<a href="http://www.fujielectric.com/products/semiconductor/model/igbt/mounting/">www.fujielectric.com/products/semiconductor/model/igbt/mounting/</a>
6 IGBT Loss Simulation Software	<a href="http://www.fujielectric.com/products/semiconductor/model/igbt/simulation/">www.fujielectric.com/products/semiconductor/model/igbt/simulation/</a>
7 Fuji Electric Journal	<a href="http://www.fujielectric.com/products/semiconductor/journal/">www.fujielectric.com/products/semiconductor/journal/</a>
8 Contact	<a href="http://www.fujielectric.com/contact/">www.fujielectric.com/contact/</a>

#### 中国

1 半导体综合目录	<a href="http://www.fujielectric.com/products/semiconductor/cn/catalog/">www.fujielectric.com/products/semiconductor/cn/catalog/</a>
2 产品信息	<a href="http://www.fujielectric.com/products/semiconductor/cn/model/">www.fujielectric.com/products/semiconductor/cn/model/</a>
3 应用手册	<a href="http://www.fujielectric.com/products/semiconductor/cn/model/igbt/application/">www.fujielectric.com/products/semiconductor/cn/model/igbt/application/</a>
4 技术信息	<a href="http://www.fujielectric.com/products/semiconductor/cn/model/igbt/technical/">www.fujielectric.com/products/semiconductor/cn/model/igbt/technical/</a>
5 安装说明书	<a href="http://www.fujielectric.com/products/semiconductor/cn/model/igbt/mounting/">www.fujielectric.com/products/semiconductor/cn/model/igbt/mounting/</a>
6 IGBT 损耗模拟软件	<a href="http://www.fujielectric.com/products/semiconductor/cn/model/igbt/simulation/">www.fujielectric.com/products/semiconductor/cn/model/igbt/simulation/</a>
7 富士电机技报	<a href="http://www.fujielectric.com/products/semiconductor/cn/journal/">www.fujielectric.com/products/semiconductor/cn/journal/</a>
8 产品咨询	<a href="http://www.fujielectric.com/contact/">www.fujielectric.com/contact/</a>