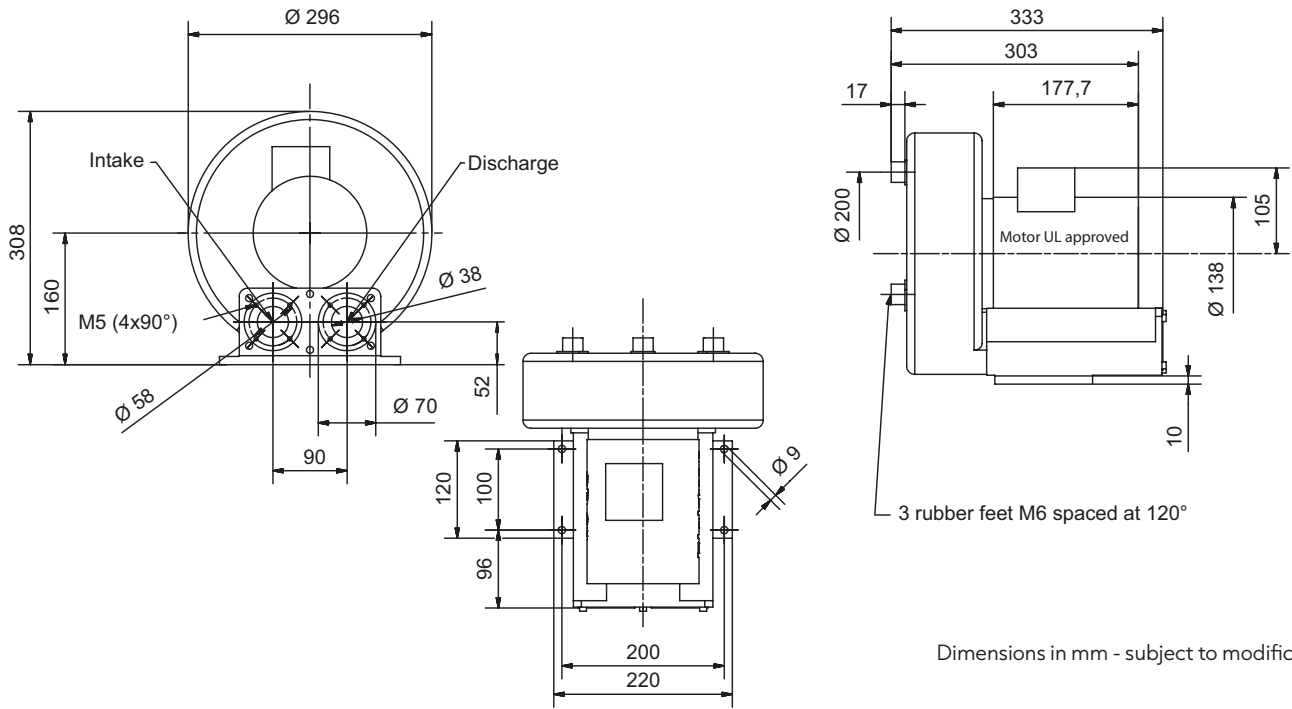


# Side Channel Blower

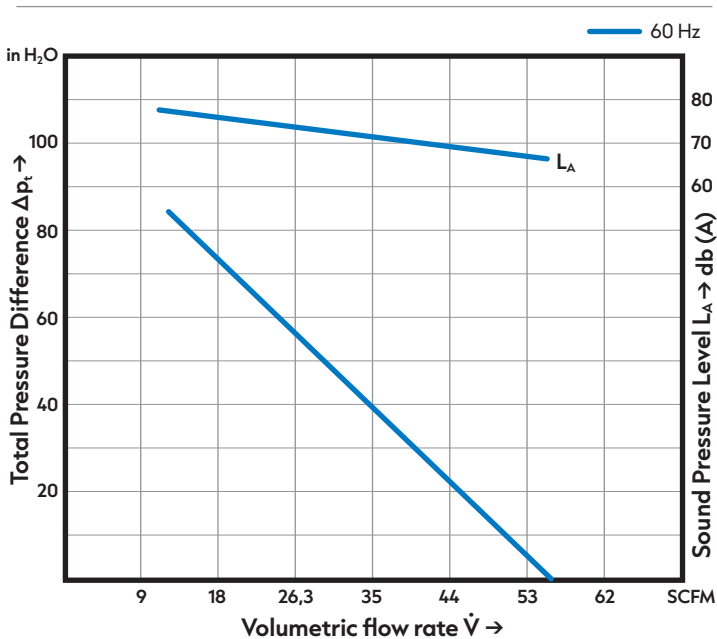


Dimensions in mm - subject to modifications.

Model	Maximum Performance (when used as blower)		Maximum performance (when used as extractor)		Motor Ratings						Weight (approx.)
	V max.	$\Delta p_t$ max.	V max.	$\Delta p_t$ max.	Output	Voltage	Phase	Freq.	Current	RPM	
	SCFM	in. H <sub>2</sub> O	SCFM	in. H <sub>2</sub> O	HP	V	-	Hz	A	-	lbs
VFD-2S	56	84	56	72	1.0	115	1	60	9.0	3360	33

Unit includes 1-1/4" NPT inlet and outlet flanges. TEFC IP54

## Pressure



## Vacuum

