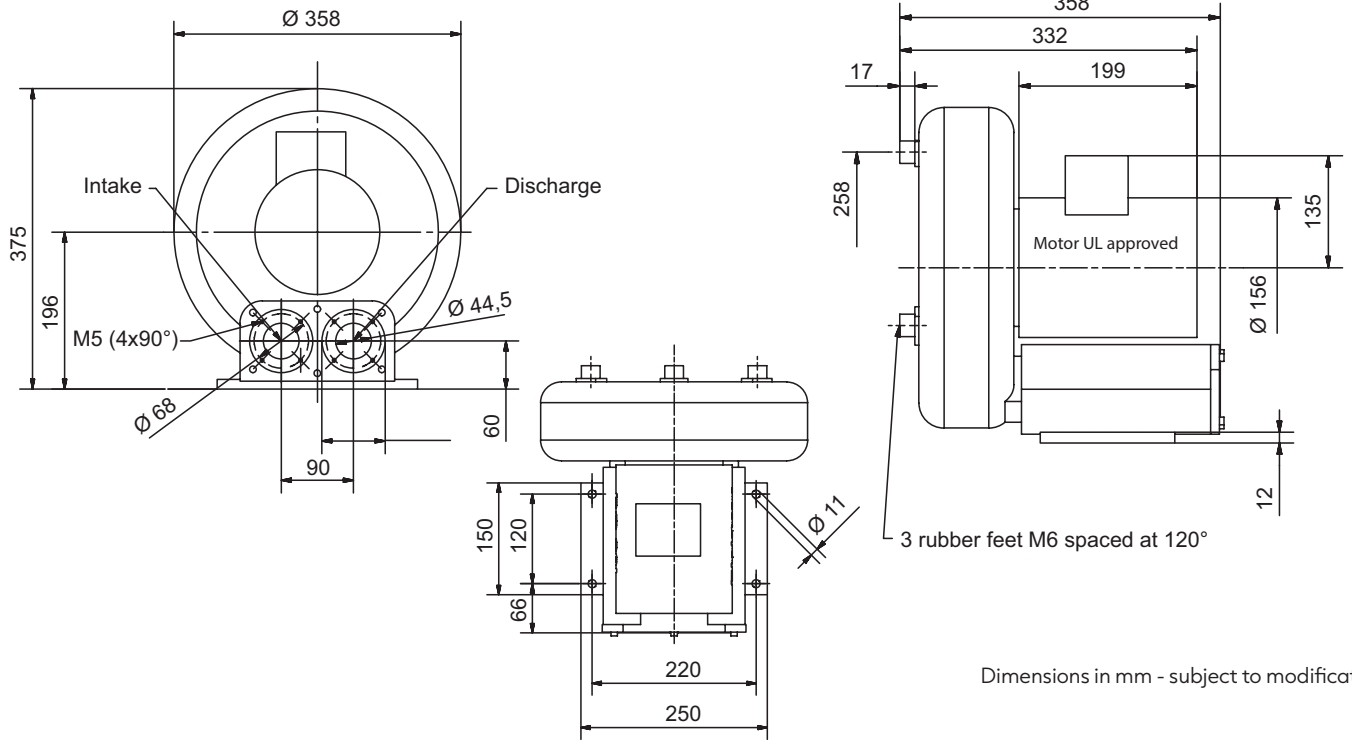


Side Channel Blower

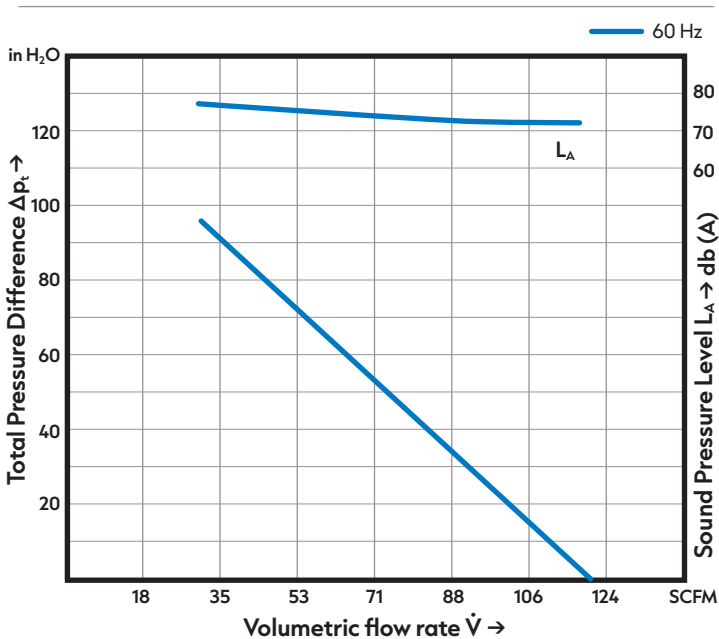


Dimensions in mm - subject to modifications.

Model	Maximum Performance (when used as blower)		Maximum performance (when used as extractor)		Motor Ratings						Weight (approx.)
	V max.	Δp_t max.	V max.	Δp_t max.	Output	Voltage	Phase	Freq.	Current	RPM	
	SCFM	in. H ₂ O	SCFM	in. H ₂ O	HP	V	-	Hz	A	-	lbs
VFD-41S	120	72	120	76	1.6	230	1	60	10.00	3300	47

Unit includes 1-1/2" NPT inlet and outlet flanges.

Pressure



Vacuum

