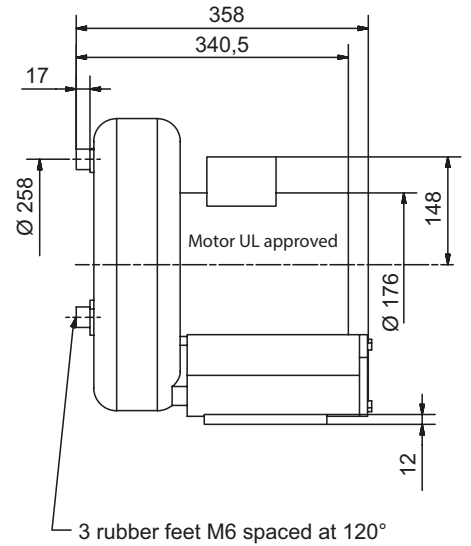
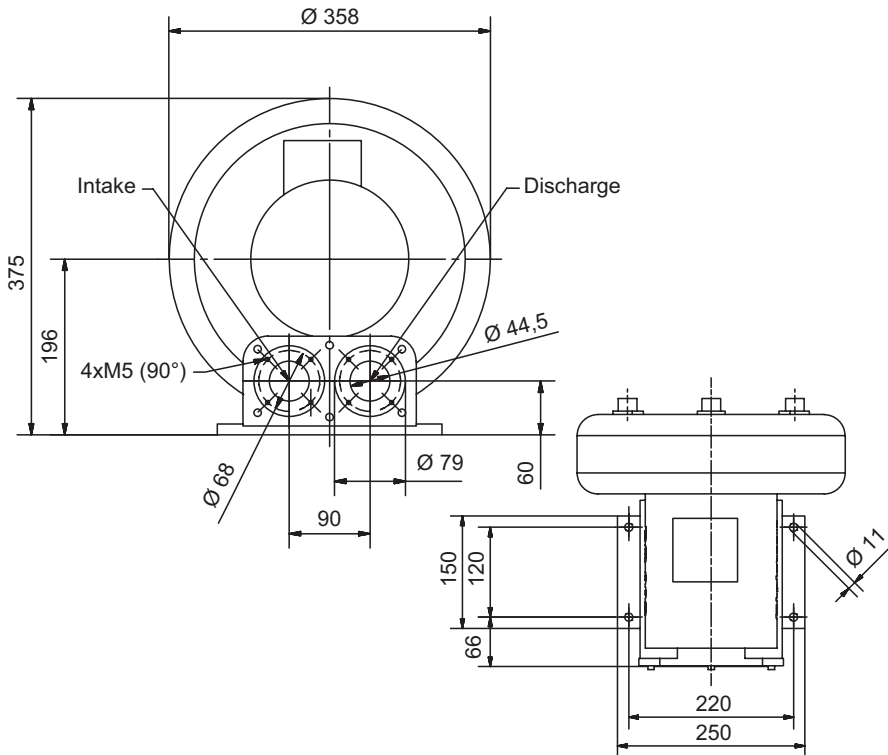


# Side Channel Blower

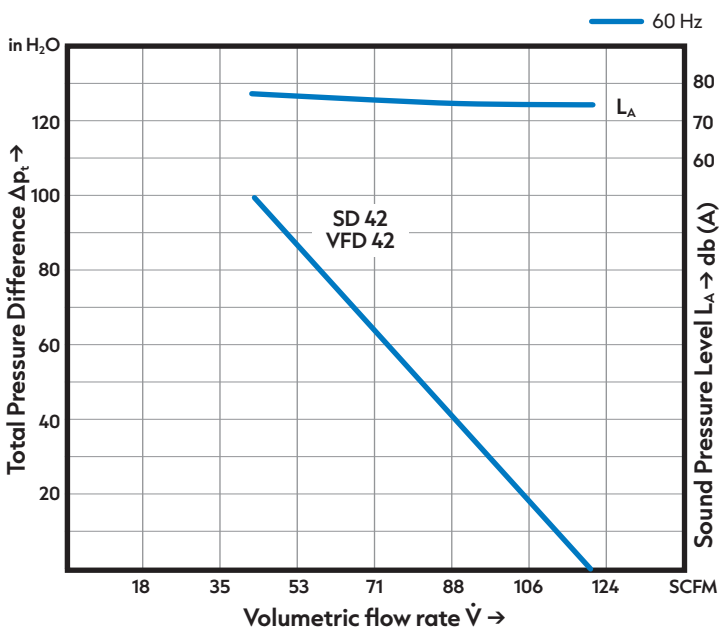


Dimensions in mm - subject to modifications.

Model	Maximum Performance (when used as blower)		Maximum performance (when used as extractor)		Motor Ratings						Weight (approx.)
	V max.	$\Delta p_t$ max.	V max.	$\Delta p_t$ max.	Output	Voltage	Phase	Freq.	Current	RPM	
	SCFM	in. H <sub>2</sub> O	SCFM	in. H <sub>2</sub> O	HP	V	-	Hz	A	-	lbs
VFD-42-H	120	100	120	104	2.5	460	3	60	3.25	3505	47

Unit includes 1-1/2" NPT inlet and outlet flanges, NEMA Premium Efficiency motor, TEFC IP54.

## Pressure



## Vacuum

