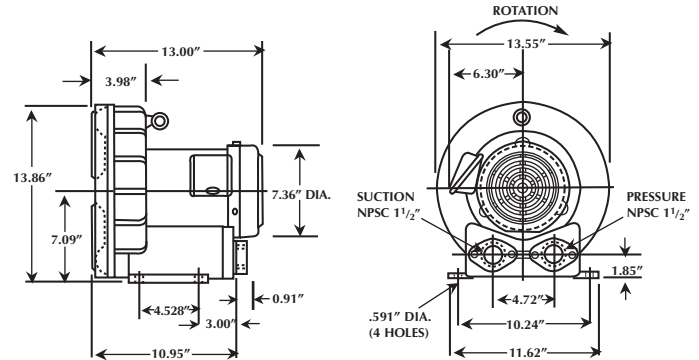




The VFC50 is a singlestage ring compressor with a maximum pressure of 80 in. H₂O, a maximum vacuum of 70 in. H₂O, and a maximum capacity of 154 SCFM. It comes complete with a direct-drive, 2.5 horsepower, TEFC motor capable of operating on a wide range of voltages, and on 50 or 60 Hz. A pilot-duty thermal protector is standard equipment on all 3-phase and 1-phase models. All versions have NEMA class B insulation, are UL recognized, CSA certified, and CE. 575 Volt units are CSA certified only.



SPECIFICATIONS

| Model No. | Hz | Voltage | Amps | | Max. Pressure | Max. Vacuum | Max. Airflow | Min. Airflow | Max. Temp Rise (ΔT) | Weight |
|------------------------------|----|-----------------|-----------------|----------------|---------------|-------------|--------------|--------------|---------------------|-----------|
| | | | (Max. Rated) | (Locked Rotor) | | | | | | |
| 1 Phase VFC508P-2T | 60 | 200/230 | 12-11 | 70-80 | 80 | 70 | 154 | 60 | 72(40) | 97.5(44) |
| | 50 | 200/230 | 8.5-8 | 70-75 | 60 | 53 | 130 | 45 | 65(35) | |
| 3 Phase VFC500A-7W | 60 | 200-240/400-480 | 6.9-6.2/3.4-3.1 | 44-52/22-26 | 80 | 70 | 154 | 45 | 101(55) | 70.5(32) |
| | 50 | 190-230/380-460 | 5.2-5.4/2.6-2.7 | 48-56/24-28 | 60 | 53 | 130 | 25 | 72(40) | |
| VFC500A-5W | 60 | 575 | 2.3 | 21 | 80 | 70 | 154 | 45 | 119(65) | 70.5 (32) |

ACCESSORIES

| Description | Vacuum Relief Valve | Pressure Relief Valve | Inlet Filter | Inlet Filter Cover | Inlet Filter/Receiver | Exhaust Silencer/Muffler |
|-------------|---------------------|-----------------------|--------------|--------------------|-----------------------|--------------------------|
| Model No. | VV5 | PV5 | F-45 | C-45 | R30P1.5 | VFY-024A |



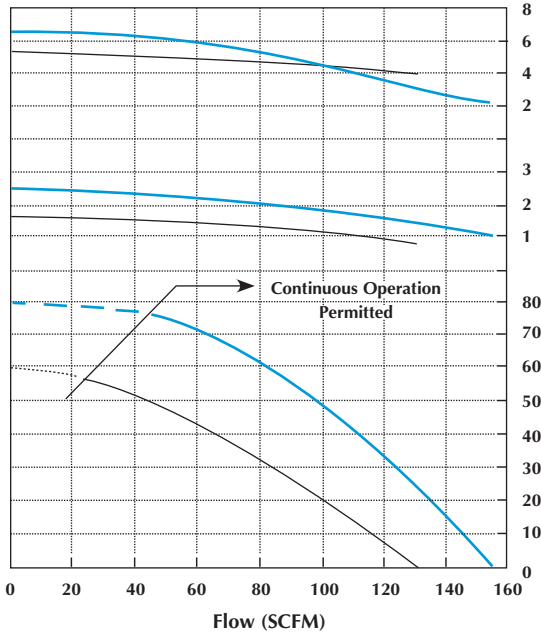
NOTE: Maximum allowable time at deadhead is 60 seconds.

VFC50 PERFORMANCE DATA

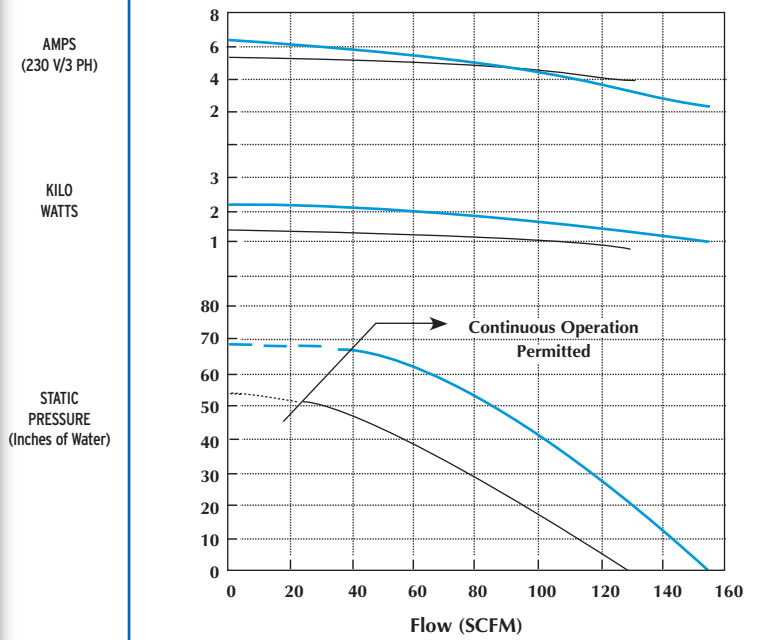
KEY

— 60 Hz
— 50 Hz

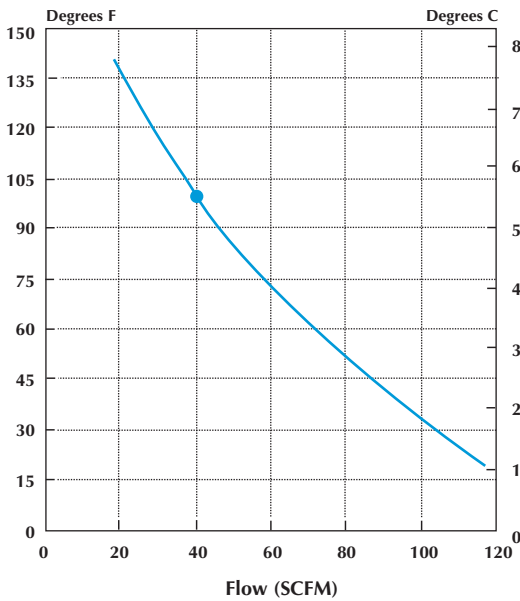
PRESSURE



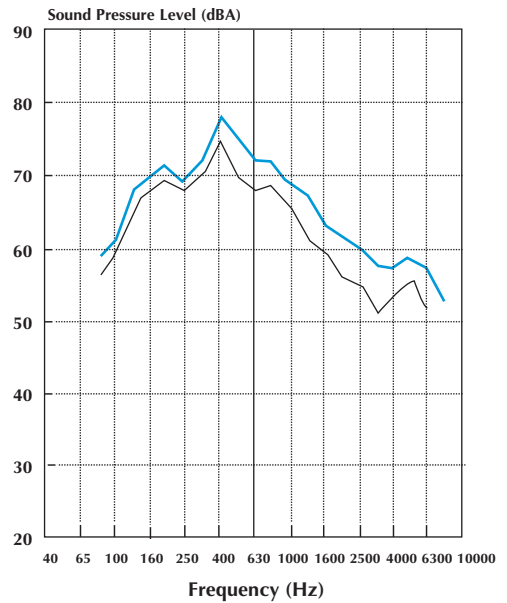
VACUUM



TEMPERATURE RISE



SOUND LEVEL



Max. Air Temperature is Value Marked • plus 40 Degrees C Ambient Temperature

*Measured at distance of 1.0 meter