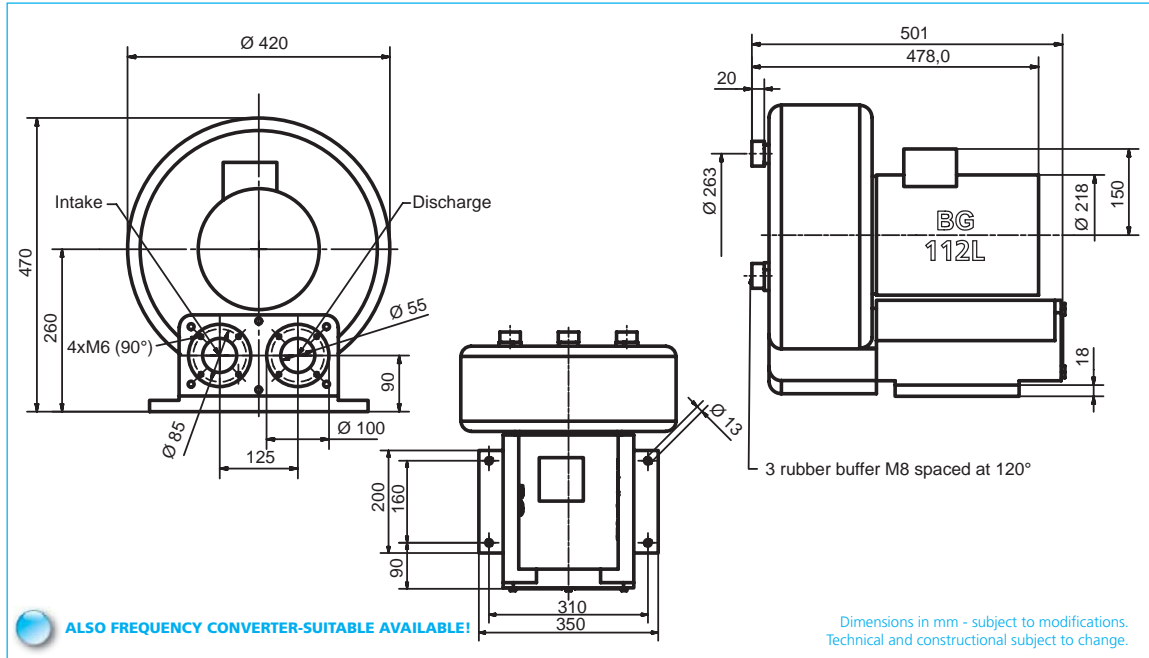
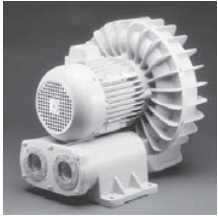


SD 5400 VFD 5D

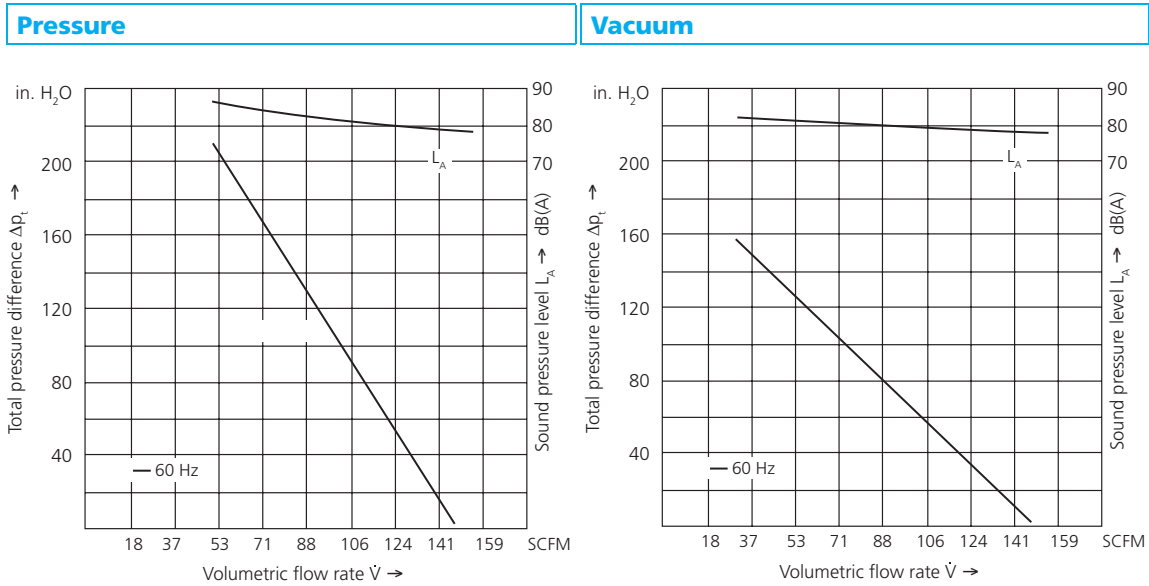


ALSO FREQUENCY CONVERTER-SUITABLE AVAILABLE!

Dimensions in mm - subject to modifications.
Technical and constructional subject to change.

Delivery includes inlet and outlet flanges NPT 2".

Type	Efficiency class	Frequency	Maximum performance when used as blower		Maximum performance when used as extractor		Motor ratings				Weight (approx.)
			\dot{V} max.	Δp_t max.	\dot{V} max.	Δp_t max.	Rated output	Voltage	Current	RPM	
		Hz	SCFM	in. H ₂ O	SCFM	in. H ₂ O	hp	V	A	min ⁻¹	lb
SD 5400 VFD 5D	NEMA Energy Efficient	60	148	209	148	157	6,4	230/460	16,0/8,0	3525	133



Hellmuth-Hirth-Str. 2
D-73760 Ostf Idem
Germany
sales@elektror.com
www.elektror.com



Fuji Electric Corp. of America
47520 Westinghouse Drive
Fremont, CA 94539
USA
x-fea-rc-group@fujielectric.com
www.americas.fujielectric.com