

Fuji Electric UPS7300WX-T3U (225-1000 kVA) 480 V Uninterruptible Power System (UPS)

Fuji Electric's new UPS7300WX-T3U is an innovative transformer-less UPS designed for data centers and commercial applications, utilizing our patented RB-IGBT Technology and AT-NPC 3-Level Circuit Topology to deliver up to 97.5% efficiency and unparalleled reliability.

- State-of-the-art design utilizing Fuji Electric's RB-IGBT Technology and AT-NPC 3-Level Circuit Topology delivers up to 97.5% efficiency for lower operational cost
- Expandable architecture delivers any size unit from 225-1000 kW using 330 kVA modules
- Hybrid silicon carbide (SiC) IGBTs for optimum efficiency and power handling capability
- DC-DC Converter for battery longevity
- Selectable High Efficiency (HE) Mode available, for the highest possible efficiency when conditioned power is not required
- Parallel up to eight units
- Three-Year Warranty for lower cost of ownership



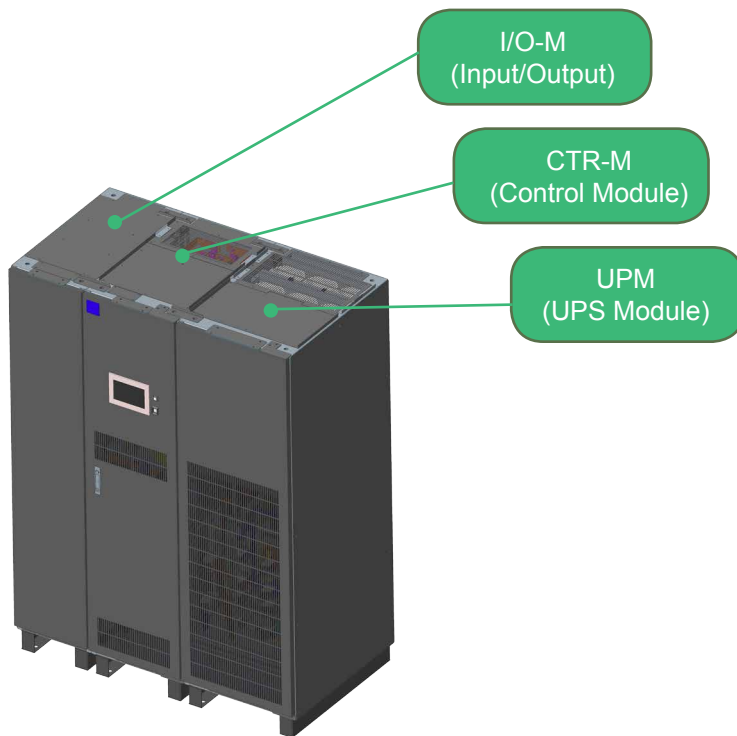
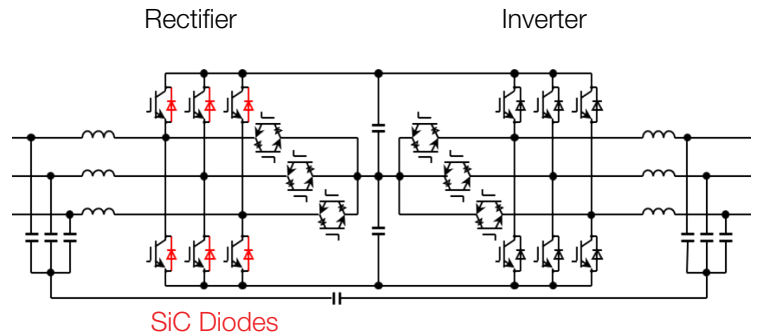
UPS7300WX-T3U with one 330 kVA module



Unparalleled Innovation.

Engineering prowess meets forward thinking.

- Fuji Electric's exclusive AT-NPC Topology using RB-IGBT Technology in both Rectifier and Inverter
- Silicon Carbide (SiC) Diodes in Rectifier IGBTs handle the added stress that those components endure for superior reliability

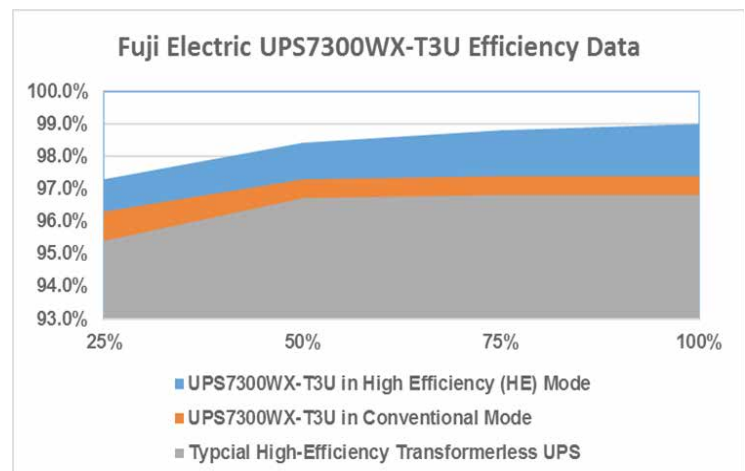


Designed to Perform.

- Efficiency greater than 96% at loads as low as 25%
- Handles up to .7 leading power factor loads without de-rating
- Selectable High Efficiency (HE) Mode increases efficiency to as high as 99% under normal conditions
- Outstanding voltage and frequency regulation (Voltage +/-1%; Frequency +/-0.01%)
- 100% unbalanced load capability
- Voltage regulation for 100% load steps <3%, without utilizing batteries
- Overload capacity 150% for 1 minute, 125% for 10 minutes

Built to Last.

- Redundant fans standard
- Fully maintainable and repairable with only front access required
- Comprehensive manageability via large color touch screen and at-a-glance status LEDs
- Three-Year warranty covers parts and labor



UPS7300WX-T3U Specifications

CAPACITY (one UPS module)	225 kVA	300 kVA	330 kVA (max load)
Topology	Double Conversion with SiC-Hybrid IGBT and RB-IGBT Technology		
AC INPUT			
Voltage / Phases	480 VAC / 3-phase, 3-wire (Y) + Ground		
Voltage Range	-30% to +10%		
Frequency / Range	60 Hz / ±10%		
Power Factor	> .99		
Current THD	< 5%	< 5%	< 3%
Current (Nominal)	279 A	372 A	410 A
Current (Maximum)	307 A	399 A	439 A
BYPASS			
Voltage / Phases	480 VAC / 3-phase, 3-wire (Y) + Ground		
Frequency / Range	60 Hz / ±1%-5%, selectable		
BATTERY			
Voltage (Rated / Nominal)	480 VDC / 545 VDC (240 cells, 2.27 V per cell)		
Max Charging Current	88 A		
AC OUTPUT			
Voltage / Phases	480 VAC, 3-phase, 3-wire (Y) + Ground		
Voltage Regulation	< ±1%		
Frequency / Regulation	60 Hz / < ±.01% (in free-running mode)		
Power Factor (Rated)	1.0		
Power Factor Range	.7 leading to .7 lagging without derating		
Voltage THD	< 2% (linear load); < 5% (non-linear load)		
Transient Voltage Regulation	< 3% (at 100% load step)		
Overload Capacity	125% for 10 minutes; 150% for 1 minute		
Current (Nominal)	271 A	361 A	397 A
ENVIRONMENTAL			
Audible Noise	≤ 75 dBA (1m in front of cabinet)		
Operating Temperature	32 to 104 °F (0 to 40 °C)		
Storage Temperature	-13 to 131 °F (-25 to 55 °C)		
Relative Humidity	5 to 95% (Non-condensing)		
Altitude	≤ 6560 ft (2000 m)		
EFFICIENCY*			
100% Load in High Efficiency Mode	98.8%	98.9%	99.0%
EnergyStar Avg (Online Mode)	96.6%	96.9%	97.1%
100% Load	97.4%	97.3%	97.3%
75% Load	97.3%	97.4%	97.4%
50% Load	96.9%	97.2%	97.3%
25% Load	95.3%	96.1%	96.3%
DIMENSIONS			
Width	59.1 in (1500 mm)		
Depth	32.7 in (830 mm)		
Height	79.5 in (2020 mm)		
Weight	2425 lbs (1100 kg)		
Ingress Rating	NEMA 1 (IP20)		
STANDARDS			
Safety	UL 1778 5th Edition; CSA 22.2 No.107.3-14 3rd Edition		
EMC	IEC 62040-2, Category C3		
Environmental	EnergyStar		
Seismic	OSHPD Certified		

* Efficiencies measured during EnergyStar testing. Learn more at <https://www.energystar.gov/productfinder/product/certified-uninterruptible-power-supplies/results>



Fuji Electric UPS7300WX-T3U configurations are expandable up to 1000 kVA using multiple UPS Modules in parallel. 660 kVA / 1000 kVA available in 2017.

Trusted Globally

For over 90 years, Fuji Electric has been manufacturing products for mission critical applications including data centers, power plants and hospitals. Customers around the world rely on Fuji Electric, for products ranging from the smallest IGBT to large power generation systems. For decades, we have maintained an unwavering commitment to engineering and R&D, refusing to compromise on quality and reliability. This goes hand in hand with our company's dedication to the environment, influencing our innovative products that seek to conserve, manage and produce energy.

Fuji Electric Corp. of America

50 Northfield Avenue
Edison, NJ 08877
T 732-560-9410
F 732-457-0042

www.americas.fujielectric.com

Information in this document is subject to change without notice. Fuji Electric Corp. of America (FEA) reserves the right, without prior notice, to update information, make product changes, or to discontinue any product or service identified in this publication. FEA shall not be liable for technical or editorial omissions or mistakes in this document, nor shall be liable for incidental damages resulting from the use of information contained in this document. This document is copyrighted. No part of this document may be photocopied and reproduced in any form without the prior written consent of FEA.
© Copyright 2017 Fuji Electric Corp. of America