

All ODYSSEY contactors with **SUPERMAGNET** Coils meet the requirements of **SEMI F47-0200**

## Unparalleled Current and Horsepower Capabilities.

Fuji Electric introduces the latest generation of Magnetic Contactors – the Odyssey Series. As the latest generation in the Fuji Electric contactor family, the new Odyssey Series provides the highest current and horsepower capabilities to date. Fuji Electric's Odyssey Series Contactors are designed for reliable use in applications that require consistent switching, reduced coil consumption, and increased horsepower capabilities.



- Fuji's **"SUPERMAGNET"** design is standard on all contactors rated 150A and above
- Now able to control up to **700HP @ 600VAC**
- **"Chatter-free"** operation eliminates contact welding & coil burning



- **Din rail mountability** is standard up through 100A
- Fuji's new Odyssey Series offers **higher horsepower and current ratings** on all frame sizes as compared to previously offered contactor products
- Fuji Electric's Odyssey Series Contactors are ideally suited for the **motion control, semi-conductor and packaging/processing** industries



Listed to UL508



Certified to 22.2



Meets LVD EN60947-4-1

### **"SUPERMAGNET" FEATURE OFFERS ADVANCED ELECTRONICS FOR MAXIMUM DEPENDABILITY**

Fuji Electric's line of Odyssey Series Contactors are engineered for cost and application advantages, and provide both quality and economy to our users. The Odyssey Series provides users and manufacturers with reliability and superior performance.

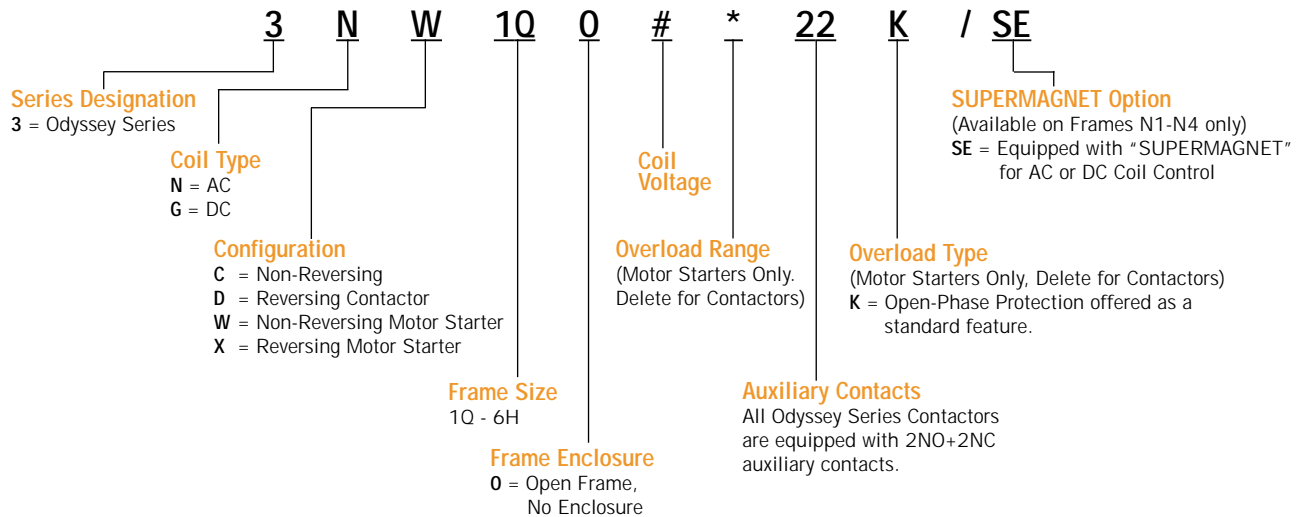
## Product Availability

Frame Code	Catalog Numbers		HP Capabilities				Continuous Current	Super Magnet	DIN Rail Mountable	DC Coil Available
	CONTACTORS*	STARTERS*	208V	240V	480V	600V				
N1	3NC0T0...	3NW0T0...	7.5	10	25	25	50	OPTION	YES	YES
N2	3NC1Q0...	3NW1Q0...	10	15	30	30	60	OPTION	YES	YES
N2S	3NC2F0...	3NW2F0...	15	20	40	40	80	OPTION	YES	YES
N3	3NC2H0...	3NW2H0...	20	25	50	50	100	OPTION	YES	YES
N4	3NC2T0...	3NW2T0...	25	30	60	60	135	OPTION	NO	NO**
N5	3NC3F0...	3NW3F0...	30	30	60	75	150	STANDARD	NO	N/A
N6	3NC3H0...	3NW3H0...	40	40	75	100	150	STANDARD	NO	N/A
N7	3NC4F0...	3NW4F0...	50	50	100	125	200	STANDARD	NO	N/A
N8	3NC4Q0...	3NW4Q0...	60	60	150	150	260	STANDARD	NO	N/A
N10	3NC4H0...	3NW4H0...	75	75	150	200	260	STANDARD	NO	N/A
N11	3NC5F0...	3NW5F0...	100	100	200	250	350	STANDARD	NO	N/A
N12	3NC5H0...	3NW5H0...	125	150	300	350	450	STANDARD	NO	N/A
N14	3NC6F0...	3NW6F0...	200	200	500	600	660	STANDARD	NO	N/A
N16	3NC6H0...	3NW6H0...	250	300	600	700	800	STANDARD	NO	N/A

\* Contactors and Starters also available in reversing configurations. Consult Fuji Electric.

\*\* For DC control requirements, use "Super Magnet Option"

## Explanation of Part Numbering System



Complete technical data can be found in Fuji Electric's motor control catalog, USAH105e.

### FUJI ELECTRIC CO., LTD.

Gate City Ohsaki, East Tower 11-2  
Osaki 1-chome,  
Shinagawa-ku, Tokyo 141-0032, Japan  
Phone: Tokyo 3-5435-7136  
Fax: Tokyo 3-5435-7457  
Website: www.fujielectric.co.jp

### FUJI ELECTRIC CORP. OF AMERICA

Park 80 West Plaza II  
Saddle Brook, NJ 07663  
Phone: 201-712-0555  
Fax: 201-368-8258  
Website: www.fujielectric.com

Information is subject to change without notice.  
Printed in U.S.A.  
2001 3M

USAH106A