

Optimized Gate Drivers

Optimized Gate Driver for Fuji Electric IGBT Modules

Tamura gate drivers are engineered to provide exceptional connectivity between low-voltage controllers and Fuji Electric high-voltage power modules.

Tamura Gate Driver Features

Renowned for performance and reliability, Tamura gate drivers deliver several benefits.

- **Low stray capacitance** ensures low noise at high frequencies
- **Wider input voltage** supports 24V systems with high output accuracy
- **High-power DC-DC converter** for high frequency and large capacity
- **High-speed response and accuracy** with parallel drive available
- **Various protections** for improved reliability

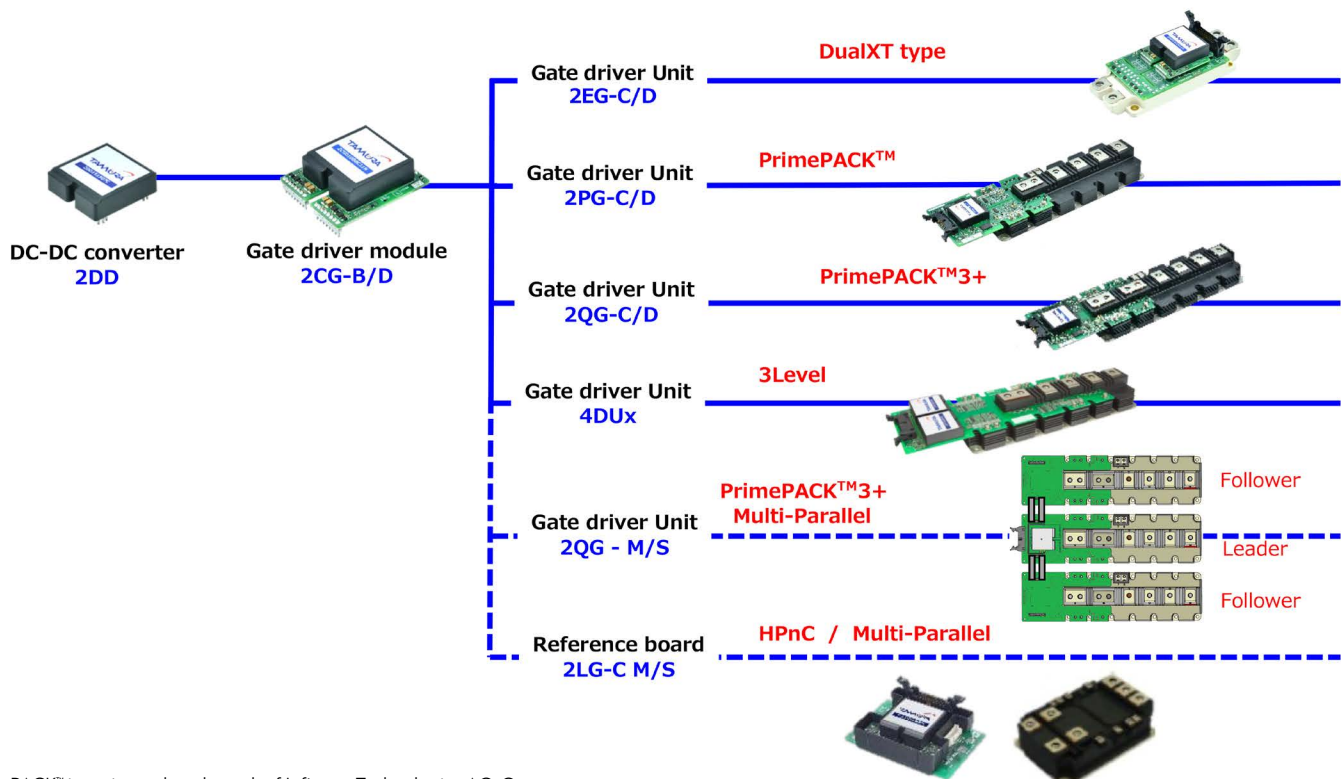
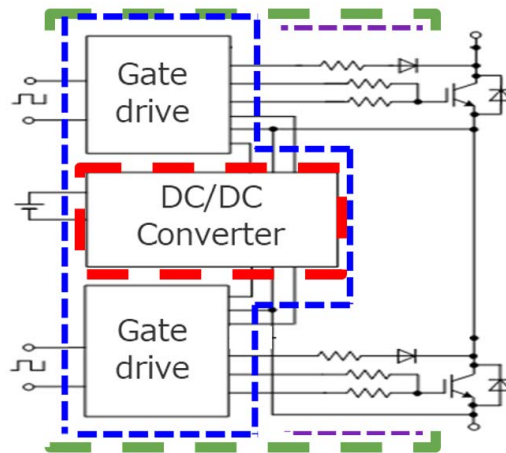


Fuji Electric IGBT Compatibility

These high-performance IGBT modules provide the optimal combination of output power, efficiency, reliability, and thermal characteristics—all in space-saving designs. This can be paired with Tamura gate drivers for industry-leading integration.



Fuji Electric IGBT Modules	Gate Driver Unit	Gate Driver Module	DC-DC Converter	Evaluation Board
2 Pack 62mm IGBT Module				
Dual XT				
PrimePack™				
3-Level IGBT Modules				
High-Performance nect Core (HPnC)	Under Development			



PrimePACK™ is registered trademark of Infineon Technologies AG, Germany.